

# APPLICATION FORM

## ATHLETICS FACILITY CERTIFICATION

This form must be sent to: [technicalofficer@worldathletics.org](mailto:technicalofficer@worldathletics.org)

Conditions of application & fees are in the Certification System Procedures: [www.worldathletics.org](http://www.worldathletics.org)

We, Polytan Asia Pacific Pty Ltd hereby apply for:

**CLASS 1 Certificate:**

Measurement Report in accordance with the requirements of World Athletics and a full in-situ testing of the synthetic surface by an Accredited Laboratory in accordance with Rule 2 of the Technical Rules are required.

**CLASS 2 Certificate:**

Measurement Report and current valid Product Certificate for the facility synthetic surfacing material are required.

**INDOOR Certificate:**

Measurement Report and current valid Product Certificate for the facility synthetic surfacing material are required.

**CONFIRMATION OF COMPLIANCE**

Measurement Report and the reasons why the full certification cannot be applied for are required.

FACILITY / STADIUM VENUE			
Name of the facility / stadium*	BUNBURY REGIONAL ATHLETICS TRACK		
City	BUNBURY , WA	Country	AUSTRALIA
Address	OLYMPIC LANE, WITHERS WA 6230		
GPS coordinates (finish line)**	33 DEG 21m 53s S 115 DEG 38m 23s E Elevation 10m		
Usage (e.g. athletics, football)	ATHLETICS		
Roof: open/closed/retractable	NO ROOF	Facility built (year)	2010

\* as it should appear on the Certificate

\*\*Latitude and longitude in decimal degrees (DD) or in degrees, minutes, seconds (DMS); elevation, if available.

APPLICANT			
Name of applicant	Polytan Asia Pacific Pty Ltd		
Address	Factory 2, Dunlopillo Drive, Dandenong South		
City	Melbourne	Postal (Zip) Code	3175
Country	Australia	State / Province	VIC
Email	paul.kamphuis@polytan.com.au	Telephone	1800 663 812

SYNTHETIC SURFACE			
Name of product	REKORTAN M		
Name of manufacturer	SPORT GROUP HOLDING GMBH		
Certification number	S-99-0009-C	Date of surfacing	04/04/2022
If re-topping			
Date of surfacing	13/05/2022		
Original surface product	N/A	Certification Nbr	N/A
Re-topping surface product	N/A	Thickness	N/A mm

**Attachments:**

- Full Measurement Report (Form TMO / TMI) and other supporting documents (Levels, Layout, Calibration Certificate)
- Report on Synthetic Surface Field Test (Form FIELD\_TEST) issued by an Accredited Laboratory (CLASS 1 only)
- Photograph(s)

INVOICING (if different from the applicant):			
Name of company	Polytan Asia Pacific Pty Ltd		
Address	PO Box 4260, Dandenong South		
City	Melbourne	Country	Australia
Email	paige@polytan.com.au	Telephone	1800 663 812
If there is a special requirement for the invoicing, please add:			

We have read the conditions in the World Athletics Certification System Procedures and accept that if our application is accepted then the certification granted to us is subject to the conditions set out within those procedures. Further, we acknowledge and agree that if this application is accepted then the use of any certification badge issued to us by World Athletics is subject to the terms and conditions of the license set out in the World Athletics Certification System Procedures.

We acknowledge, agree and understand that the World Athletics Facility Certificate / Confirmation of Compliance shall apply only to the technical suitability of the track for competitions. The requirements of specific Technical Regulations, where appropriate, must also be met for those competitions.

Name	Paul Kamphuis	Position	General Manager
Date	16/05/2022	Signature	<i>P Kamphuis</i>



# REPORT

## OUTDOOR FACILITIES MEASUREMENT

**This form must be sent to: [technicalofficer@worldathletics.org](mailto:technicalofficer@worldathletics.org)  
together with the application for one of the following:**

### CLASS 1 Certificate

A full certificate covering all technical aspects of the facility.

Measurement Report in accordance with the requirements of World Athletics and a Report of Synthetic Surface Field Test by an Accredited Laboratory in accordance with Rule 2 of the Technical Rules are required.

### CLASS 2 Certificate

Measurement Report and current valid Product Certificate for the facility synthetic surfacing material are required.

### CONFIRMATION OF COMPLIANCE

Measurement Report and the reasons why the full certification cannot be applied for are required.

*Note: The technical requirements listed in the Track and Field Facilities Manual ("Manual") on the World Athletics website also need to be met for the facility to be fit for the purpose.*

<b>NAME OF FACILITY:</b>	Bunbury Athletics Track		
City	Bunbury	Country	Australia
Address	OLYMPIC LANE, WITHERS WA 6230		
GPS coordinates (finish line)	33 DEG 21m 53s S 115 DEG 38m 23s E Elevation 10m		

*Latitude and longitude in decimal degree (DD) or in deg., min., sec. (DMS); elevation, if available.*

SURVEY WORK			
Company Name	Tracktech International Ltd		
Surveyor name	J. Vivash	Email	jvivash@yahoo.com
Address	Suite 925A, Europort, Gibraltar		
Start of survey	May 9, 2022	End of survey	May 10, 2022
Weather conditions	Sunny	Temperature	26c
Instruments			
Theodolite	Nikon DTM 322+	No.	D165690
Distance meter		No.	
Last calibration date	04/03/2022		



## General Notes

- For ease of distribution and handling, the report should be in Word document or pdf format. The measurements should be typed onto the form.
- Test methods are explained.
- Distances longer than 20m are to be measured by electro optical instruments.
- Angles are to be measured by theodolite.
- Provide and attach a Certificate of Instrument Accuracy for the instruments used in the survey, current at the time of the survey (less than one year old), that can be traced back to national and international standards of measurement.
- Levels to be provided in metres to three decimal places on separate forms.
- All the information required in this form must be determined by the surveyor, and he should not rely on any measurement work that may have been done by others.
- It is not for the surveyor or others to determine whether dispensations might be provided for any non-conformity with the Rules or the specification in the Manual. These are matters for World Athletics alone to determine. Certification will be delayed until the levels on the track, runways or landing areas conform. Therefore, non-conformities should be corrected before a submission is made.
- If there are more facilities than allowed for on the form, the same information as that requested should be provided for the extra facilities. This applies also to a back straight sprint track marked for competition.
- All measurements / calculations of length must be to the nearest mm.
- No negative tolerances are allowed in the measured distance of races.
- The surveyor must report any unusual situations not covered specifically by this proforma, that might affect the proper and safe conduct of a competition e.g. runways or track lanes which have extreme local lateral or overall inclinations, depressions or humps, bubbling or torn synthetic surface, loose or damaged kerbing.

## GENERAL CONDITIONS


All tracks intended for use for international competition must conform to the stringent requirements for accurate measurement contained in Rules and, more specifically, in the Track and Field Facilities Manual.

The Measurement Report duly completed by a fully qualified surveyor is one of the requirements to issue CLASS 1 or CLASS 2 Athletic Facility Certificate.

Application for an Athletic Facility Certification may be made by an agent on behalf of the track owner but should be signed by the track owner as World Athletics will require an undertaking that any changes, (relining etc.) will be immediately notified to the Office.

Certificates issued under this scheme will normally be valid for five years. In the event of track remarking, World Athletics shall be informed, and a new Measurement Report must be provided.

All removable competition equipment such as hurdles, steeplechase hurdles, landing mats, stop boards, throwing cages have to be inspected before a competition and are not part of this Report. The same applies to the level of the sand in the horizontal jump landing pits and the level of the water in the steeplechase water jump.

OWNER OF FACILITY/STADIUM:			
Address	4 Stephen Street		
City	Bunbury	Country	Australia
Email	records@bunbury.wa.gov.au	Tel	08 9792 7000
Signature (scanned accepted)		Date	11/05/2022

# CONTENTS

<b>General Notes</b> .....	2
<b>GENERAL CONDITIONS</b> .....	2
<b>FACILITY</b> .....	4
<b>A. Construction Category</b> .....	4
1. Competition Arena.....	4
2. Warm-up Area .....	4
<b>TRACK EVENTS</b> .....	5
<b>B. 400m Standard Track</b> .....	5
1. Track - Design Dimensions .....	5
2. Track and Runway Surface .....	5
3. Length of the Track .....	6
4. The Incline of the Track.....	10
5. International Markings on the Track .....	11
<b>C. Steeplechase Track</b> .....	16
1. Track Details with Inside Water Jump .....	16
2. Track Details with Outside Water Jump .....	17
3. Steeplechase Hurdle Positions .....	18
4. Water Jump .....	18
<b>FIELD EVENTS</b> .....	19
<b>D. Facilities for Jumping Events</b> .....	19
1. Facility for High Jump .....	19
2. Facility for Pole Vault.....	19
3. Facility for Long Jump .....	20
4. Facility for Triple Jump .....	21
<b>E. Facilities for Throwing Events</b> .....	22
1. Facility for Shot Put .....	22
2. Facility for Discus Throw .....	23
3. Facility for Hammer Throw .....	24
4. Facility for Javelin Throw .....	25
<b>F. Attachments</b> .....	26
<b>G. Conclusions</b> .....	26

## FACILITY

### A. Construction Category

1. Competition Arena			
<p><i>Provide a layout drawing and photo of the facility in attachment. Please show a north point. For determining the Construction Category, a single runway would normally have landing areas or Pole Vault boxes at each end or at the centre. Based on the below information, the Construction Category will be determined during the review of the Measurement Report. Write the number of event facilities in the boxes below.</i></p>			
400m Standard Track	<input checked="" type="checkbox"/> Y <input type="checkbox"/> N	Other	m
Number of oval lanes	8	Number of straight lanes	10
Water jump for the Steeplechase	<input checked="" type="checkbox"/> Y <input type="checkbox"/> N	<input checked="" type="checkbox"/> Inside <input type="checkbox"/> Outside	
Facility for Long and Triple Jump	2 total	Landing area	<input checked="" type="checkbox"/> each end <input type="checkbox"/> one end <input type="checkbox"/> centre
Facility for High Jump	2		
Facility for Pole Vault	1 total	Landing area	<input type="checkbox"/> each end <input type="checkbox"/> one end <input checked="" type="checkbox"/> centre
Facility for Shot Put	2		
Facility for Discus and Hammer Throw combined			1
Facility for Discus Throw only	1	Facility for Hammer Throw only	
Facility for Javelin Throw	2		
Permanent ancillary space at the competition arena (e.g. for conditioning, physiotherapy, resting of athletes (Manual Chapter 4))			+45m <sup>2</sup>
Full facilities for spectators (Indicate the number of spectators fully catered for)			250
Notes			

2. Warm-up Area			
Warm-up track provided			<input type="checkbox"/> Y <input checked="" type="checkbox"/> N
Surface of similar type to the main track			<input type="checkbox"/> Y <input type="checkbox"/> N
Track length	m	No. of oval/straight lanes	o/ s
Jumping events	HJ	PV	LJ TJ
Throwing events <input type="checkbox"/> separate field	SP	DT	HT JT
If there is no warm-up track, is an adjacent park or playing field available?			<input checked="" type="checkbox"/> Y <input type="checkbox"/> N
If yes, size		1000 sqm	
Permanent ancillary space at the warm up			m <sup>2</sup>
Notes			

## TRACK EVENTS

### B. 400m Standard Track

1. Track - Design Dimensions			
Radius	36.500m	Radii if double bend	m      m      m
Distance between Centre Points	84.390m	Length of construction (planning size) at inside border	398.116m
Nominal measuring length (length of Running Line)			400.001m
Inner kerb	Height 0.050m	Width 0.060m	
Kind of inside border (Kerb) (e.g. aluminium)			Alu
Number of oval lanes			8
Sprint lanes main side	Number 10	Length	113m
Sprint lanes second side*	Number 8	Length	113m
<i>*If yes, please provide, on a separate sheet, levels and measurements for it to be incl. in the certificate.</i>			
Width of lanes (planning size)			1.22m
The line on the right-hand side of each lane, in the direction of running, is included in the measurement of the width of each lane			
Width of track (planning size)			9.760m
Safety zone inside	+1m	Safety zone outside	+1m
<i>If the safety zones inside and outside the track are individually less than 1 metre then the nature of the obstruction(s) should be described and photographs provided. The most obvious infield obstructions are likely to be a throwing safety cage or an inside steeplechase water jump.</i>			
Notes			

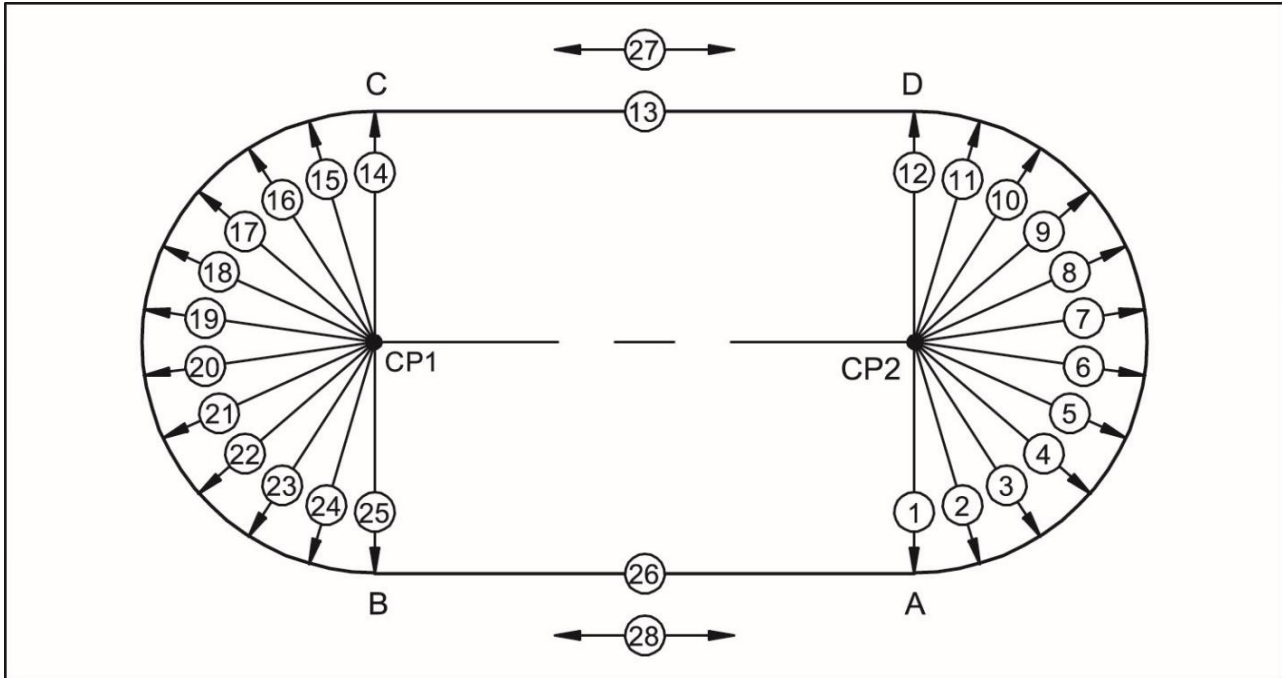
2. Track and Runway Surface			
See list : <a href="https://www.worldathletics.org/about-iaaf/documents/technical-information">https://www.worldathletics.org/about-iaaf/documents/technical-information</a>			
Track surface product name	REKORTAN M		
Name of manufacturer	SPORT GROUP HOLDING GMBH		
Certification number	S-99-0009-C	Absolute thickness	13.2 mm
Installation company	Polytan Asia Pacific Pty Ltd		
Address	Factory 2, Dunlopillo Drive, Dandenong South Melbourne Australia VIC 3175		
Date of installation	April - May 2022	Email	paul.kamphuis@polytan.com.au
Line marking company	Tracktech International Ltd		
Line marker's name	J. Vivash	Date of marking	May 4-9 2022
Notes			



### 3. Length of the Track

#### 3.1. Dimensional Accuracy of the 400m Standard Track

The dimensional accuracy is measured in the 28-point control readings on the outside edge of the inner line of each lane.



Record of 28-point control measurement:

L= Measured length of radii 1-12 and 14-25

R= Desired length of radii for each lane ( $R_1, R_2, R_3, \dots$ )

S= Measured length of the straights 13 and 26 (along each lane running line)

M= Desired length of each straight: is 84.390m

D= Deviation from desired value in millimetres (L-R), (S-M)

A= Measurements 27 and 28: alignment of the straights (the measured length of the straight at the kerb or inside white line edge compared with the measurement at the outside edge of the outer lane)

Permitted deviation from desired value for 1-26:  $\pm 0.005\text{m}$

Permitted deviation from alignment for 27 and 28:  $\pm 0.01\text{m}$

Permitted tolerance of the running length:  $+0.040\text{m}$  max.

*(Record of Control Measurement for Double Bend tracks - see in a separate document on the website)*

N°	Angle	Lane 1		Lane 2		Lane 3		Lane 4		Lane 5		Lane 6		Lane 7		Lane 8		(Lane 9)	
		R <sub>1</sub> = 36.500m		R <sub>2</sub> = 37.720m		R <sub>3</sub> = 38.940m		R <sub>4</sub> = 40.160m		R <sub>5</sub> = 41.380m		R <sub>6</sub> = 42.600m		R <sub>7</sub> = 43.820m		R <sub>8</sub> = 45.040m		R <sub>9</sub> = m	
		L	D	L	D	L	D	L	D	L	D	L	D	L	D	L	D	L	D
	gon	m	mm	m	mm	m	mm	m	mm	m	mm	m	mm	m	mm	m	mm	m	mm
1	0.000	36.501	1	37.720	0	38.941	1	40.160	0	41.381	1	42.601	1	43.820	0	45.041	1		
2	18.200	36.502	2	37.719	-1	38.940	0	40.164	4	41.384	4	42.600	0	43.819	-1	45.044	4		
3	36.400	36.501	1	37.723	3	38.942	2	40.163	3	41.378	-2	42.602	2	43.822	2	45.042	2		
4	54.500	36.503	3	37.722	2	38.938	-2	40.161	1	41.381	1	42.603	3	43.823	3	45.039	-1		
5	72.700	36.500	0	37.723	3	38.941	1	40.162	2	41.380	0	42.599	-1	43.824	4	45.043	3		
6	90.900	36.504	4	37.720	0	38.940	0	40.159	-1	41.383	3	42.603	3	43.823	3	45.042	2		
7	109.100	36.502	2	37.724	4	38.942	2	40.163	3	41.382	2	42.604	4	43.822	2	45.040	0		
8	127.300	36.498	-2	37.718	-2	38.940	0	40.162	2	41.378	-2	42.603	3	43.821	1	45.044	4		
9	145.500	36.502	2	37.724	4	38.938	-2	40.163	3	41.383	3	42.602	2	43.818	-2	45.041	1		
10	163.600	36.501	1	37.723	3	38.943	3	40.159	-1	41.381	1	42.600	0	43.823	3	45.039	-2		
11	181.800	36.502	2	37.722	2	38.944	4	40.162	2	41.380	0	42.599	-1	43.824	4	45.040	0		
12	200.000	36.500	0	37.721	1	38.941	1	40.160	0	41.380	0	42.601	1	43.821	1	45.040	0		
Averaged	1-12	36.5013	1.333	37.7216	1.583	38.9408	0.833	40.1615	1.500	41.3809	0.917	42.6014	1.417	43.8217	1.667	45.0412	1.167		
× π		114.672	4.189		4.974		2.618		4.712		2.880		4.451		5.236		3.665		
14	0.000	36.501	1	37.720	0	38.941	1	40.160	0	41.381	1	42.601	1	43.820	0	45.040	0		
15	18.200	36.500	0	37.722	2	38.938	-2	40.163	3	41.383	3	42.603	3	43.818	-2	45.044	4		
16	36.400	36.501	1	37.723	3	38.943	3	40.158	-2	41.384	4	42.602	2	43.820	0	45.043	3		
17	54.500	36.498	-2	37.723	3	38.943	3	40.163	3	41.378	-2	42.600	0	43.819	-1	45.042	2		
18	72.700	36.501	1	37.718	-2	38.944	4	40.162	2	41.383	3	42.603	3	43.823	3	45.039	-1		

19	90.900	36.503	3	37.724	4	38.943	3	40.163	3	41.379	-1	42.604	4	43.822	2	45.043	3		
20	109.100	36.498	-2	37.721	1	38.940	0	40.164	4	41.382	2	42.603	3	43.823	3	45.043	3		
21	127.300	36.502	2	37.724	4	38.942	2	40.161	1	41.383	3	42.599	-1	43.820	0	45.044	4		
22	145.500	36.501	1	37.720	0	38.939	-1	40.160	0	41.380	0	42.602	2	43.822	2	45.042	2		
23	163.600	36.503	3	37.722	2	38.940	0	40.162	2	41.384	4	42.598	-2	43.822	2	45.043	3		
24	181.800	36.501	1	37.720	0	38.944	4	40.159	-1	41.382	2	42.604	4	43.823	3	45.038	-2		
25	200.000	36.501	1	37.721	1	38.940	0	40.160	0	41.381	1	42.601	1	43.820	0	45.040	0		
Averaged	14-25	36.5008	0.833	37.7215	1.500	38.9414	1.417	40.1613	1.250	41.3817	1.667	42.6017	1.667	43.821	1.000	45.0418	1.750		
× π		114.671	2.618		4.712		4.451		3.927		5.236		5.236		3.142		5.498		

The average radii shall be recorded to four decimal places. (Value of π computer generated.)

If any "D" value exceeds ± 5mm then the lane width should be checked to ensure that it is 1.22m ± 0.01m.

13	S	84.390																	
26	S	84.390																	
27	A	84.390																	
28	A	84.390																	

### 3.2. Calculation of the Length (Inside Border)

#### Length

The bend lengths and length deviations shall be calculated to three decimal places using bend average radii and differences to four decimal places.

Lane 1	Radial Measure	Angle	Length
Average radius curve A - D	36.50133m	200.000 gon	114.672m
Average radius curve C - B	36.50083m	200.000 gon	114.671m
Straight C – D (13)	n/a	n/a	84.390m
Straight A – B (26)	n/a	n/a	84.390m
Length of the inside border	n/a	n/a	398.123m

#### Deviation from the running length

The deviation of the length of the inside border added to the planning length of the track from page 5 should also give the Theoretical Running Distance.

Lane 1	Radial Measure Deviation	Angle	Length Deviation
Average deviation from desired value A - D	0.001333m	200.000 gon	0.0042m
Average deviation from desired value C - B	0.000833m	200.000 gon	0.0026m
Straight C – D (13)	n/a	n/a	0.0000m
Straight A – B (26)	n/a	n/a	0.0000m
Length of the inside border	n/a	n/a	0.0068m

### 3.3 Calculation of the Running Distance

Length of inside border		398.123m (+)
Theoretical Running Line (at 0.30m)	$0.300 \times \pi \times 2$	1.885m (+)
Theoretical Running Distance (TRD)		= 400.008m

### 3.4 Certification of the Length

Control of the inside lane running line length of track gives a length greater than 400m	<input checked="" type="checkbox"/> Y <input type="checkbox"/> N
The calculated difference of 0.008 m (TRD-400m) is inside the permitted tolerance of +0.040m laid down in the Manual	<input checked="" type="checkbox"/> Y <input type="checkbox"/> N
The running line length of the inside lane was calculated at 0.30 metres outward from the outer edge of the kerb	<input checked="" type="checkbox"/> Y <input type="checkbox"/> N
The running line lengths of the other lanes were calculated at 0.20 metres outward from the outer edges of the lines	<input checked="" type="checkbox"/> Y <input type="checkbox"/> N

Direction of running is left-hand inside. Lanes are numbered with the left hand inside lane as 1	<input checked="" type="checkbox"/> Y <input type="checkbox"/> N		
Distance before 110m start line(s)*	3.000m	Straight distance (run-out) after finish	17.000m

\*If < 3m before the 110m start for 1 or more lanes, provide a sketch showing the clearance for each lane. If there is a 2nd straight, provide the distances achieved before the 110m start and after the finish line.

Second Side - Distance before 110m start line is 3.000m

Straight Distance (run-out) after finish is 17.000m

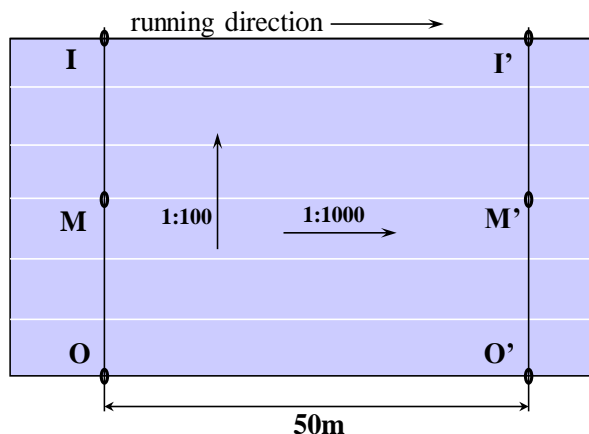
#### 4. The Incline of the Track

Please use separate drawings (proformas to be used are available on the website) for providing the required spot levels.

It is essential that reduced levels not grades be provided at the intervals as requested on the proforma.

For ease of checking, it will assist if the level at the Finish Line is assumed to be 0.000m.

Test method: three check-points should be taken in a line: inside lane one, in the centre of the track and outside the outer lane. Levels need to be provided at 200m, at the Finish Line on the oval track, and at the 100m and 110m start in the main straight.



If there are sprint lanes on the second side, then levels and measurements must be provided for this additional sprint track for it to be included on the certificate.

If there are more straight sprint lanes than oval lanes, provide levels on the straight at the outside lane as well, on the lane corresponding to the number of oval lanes. This applies also to a back straight sprint track marked for competition.

The sign convention for World Athletics for the inclinations is that an upward inclination in the direction of running is positive.

##### 4.1 Lateral Incline

The lateral inclination of the track is towards the inside lane	<input checked="" type="checkbox"/> Y <input type="checkbox"/> N
The lateral inclination of the track less than 1:100 (1.0%)	<input checked="" type="checkbox"/> Y <input type="checkbox"/> N

##### 4.2 Overall Incline

The overall inclination of the track in the running direction from starts to finish is less than 1:1000 (0.1%) downwards	<input checked="" type="checkbox"/> Y <input type="checkbox"/> N
--	--

Notes



## 5. International Markings on the Track

### 5.1 General

All lanes are marked by white lines	<input checked="" type="checkbox"/> Y <input type="checkbox"/> N
All markings are 0.05m wide	<input checked="" type="checkbox"/> Y <input type="checkbox"/> N
All start lines (except for curved start lines) and the finish line are marked at right angles to the lane lines	<input checked="" type="checkbox"/> Y <input type="checkbox"/> N
The staggered starts for 800m events are marked so that the first bend has to be run in separate lanes. The position of the start lines and the arced green breakline 0.05m wide at the beginning of the following straight are as given in the Manual	<input checked="" type="checkbox"/> Y <input type="checkbox"/> N
The outer curved start lines for 1000m, 2000m, 3000m, 3000mSC (optional), 5000m and 10,000m are marked in a way that all competitors will run the same distance. A green mark 0.05m x 0.05m on the line between lanes 4 and 5 at the beginning of the following straight indicates where athletes starting in the outer group may join the runners of the inner group.	<input checked="" type="checkbox"/> Y <input type="checkbox"/> N
The 4 tangent points on the 2 straights, the points where the steeplechase curve meets a straight and the intersection of different radii curves on the steeplechase curve or double bend track are marked in a distinctive colour 0.05m x 0.05m on the white line of the inner lane	<input checked="" type="checkbox"/> Y <input type="checkbox"/> N
The following curved start lines are extended to the extent of the available synthetic:	
1500m <input checked="" type="checkbox"/> Y <input type="checkbox"/> N      5000m <input checked="" type="checkbox"/> Y <input type="checkbox"/> N      10,000m <input type="checkbox"/> Y <input checked="" type="checkbox"/> N	
The 4 x 400m start lines are in accordance with the Manual (cf. 5.5 Int'l Relay Races)	<input checked="" type="checkbox"/> Y <input type="checkbox"/> N
Intersection of lane lines and finish line is painted black in a suitable design to assist alignment of the Photo Finish equipment and to facilitate the reading of the Photo Finish image	<input checked="" type="checkbox"/> Y <input type="checkbox"/> N
Immediately before the finish line, the lanes are marked with numbers with a minimum height of 0.50m read in the direction of running or from the outside of the track (optional) with the left-hand inside lane numbered 1	<input checked="" type="checkbox"/> Y <input type="checkbox"/> N
White lines, 0.03m wide and 0.80m (0.40m at 2m) long, are marked 1m, 3m and 5m before the finish line (optional)	<input checked="" type="checkbox"/> Y <input type="checkbox"/> N
Notes	

### 5.2 International Starts

The following international starts are marked on the track:

#### Races entirely or partly in separate lanes

100m	white	straight	In separate lanes	<input checked="" type="checkbox"/> Y <input type="checkbox"/> N
110m				<input checked="" type="checkbox"/> Y <input type="checkbox"/> N
200m		<input checked="" type="checkbox"/> Y <input type="checkbox"/> N		
400m		<input checked="" type="checkbox"/> Y <input type="checkbox"/> N		
800m	white / green / white	oval	In first bend in separate lanes	<input checked="" type="checkbox"/> Y <input type="checkbox"/> N
4 x 400m	white / light blue / white		three bends in separate lanes	<input checked="" type="checkbox"/> Y <input type="checkbox"/> N

**Curved starts**

800m			2 full laps		<input checked="" type="checkbox"/> Y <input type="checkbox"/> N
2000m	white	lane 1-8	5 full laps		<input checked="" type="checkbox"/> Y <input type="checkbox"/> N
10,000m			25 full laps		<input checked="" type="checkbox"/> Y <input type="checkbox"/> N
2000m			outer start lanes 5-8	5 full laps	first bend in L 5
10,000m	25 full laps	<input checked="" type="checkbox"/> Y <input type="checkbox"/> N			
1000m	white	lane 1-8	2 full laps + 200m		<input checked="" type="checkbox"/> Y <input type="checkbox"/> N
3000m			7 full laps + 200m		<input checked="" type="checkbox"/> Y <input type="checkbox"/> N
5000m			12 full laps + 200m		<input checked="" type="checkbox"/> Y <input type="checkbox"/> N
1000m	white	outer start lanes 5-8	2 full laps + 200m	first bend in L 5	<input checked="" type="checkbox"/> Y <input type="checkbox"/> N
3000m			7 full laps + 200m		<input checked="" type="checkbox"/> Y <input type="checkbox"/> N
5000m			12 full laps + 200m		<input checked="" type="checkbox"/> Y <input type="checkbox"/> N
1500m	white	lane 1-8	3 full laps + 300m		<input checked="" type="checkbox"/> Y <input type="checkbox"/> N
Mile	white	lane 1-8	4 full laps + 9.34m		<input checked="" type="checkbox"/> Y <input type="checkbox"/> N
2000m	white	lanes 1-8	→ C. Steeplechase track		<input checked="" type="checkbox"/> Y <input type="checkbox"/> N
3000m					<input checked="" type="checkbox"/> Y <input type="checkbox"/> N
3000m		lanes 5-8	(optional)		<input checked="" type="checkbox"/> Y <input type="checkbox"/> N

Notes

**5.3 Start Measurement**

All measurements shall be in metres (m) to three decimal places.

No negative tolerances are allowed in the measured distance of races. The deviation from the running length of all start lines must not exceed  $+0.0001 \times L$  nor be less than 0.000m where L is the length of the race in metres.

All distances were measured in a clockwise direction from the edge of the finish line nearer to the start to the edge of the start line farther from the finish	<input checked="" type="checkbox"/> Y <input type="checkbox"/> N
The measurement of the curved start lines ensures that all runners start the same distance from the finish	<input checked="" type="checkbox"/> Y <input type="checkbox"/> N

### Measured Distance to Finish Line

Start	Lane 1	Lane 2	Lane 3	Lane 4	Lane 5	Lane 6	Lane 7	Lane 8	(Lane 9)	Lane 10
100m	100.002	100.001	100.002	100.003	100.003	100.002	100.002	100.001	100.002	100.001
110m	110.001	110.002	110.002	110.001	110.003	110.003	110.003	110.002	110.002	110.002
200m	200.003	200.005	200.004	200.004	200.005	200.005	200.003	200.006		
400m	400.008	400.010	400.007	400.009	400.008	400.010	400.008	400.009		
800m	800.016	800.019	800.014	800.017	800.016	800.019	800.017	800.018		
4 x 400m	1600.032	1600.039	1600.028	1600.035	1600.032	1600.039	1600.034	1600.037		

*If there are sprint lanes on the second side then measurements must be provided for this additional sprint track for it to be included on the certificate.*

### Measured Distance to Finish Line on the second side

Start	Lane 1	Lane 2	Lane 3	Lane 4	Lane 5	Lane 6	Lane 7	Lane 8	(Lane 9)
100m	100.000	100.002	100.001	100.002	100.002	100.003	100.001	100.001	
110m	110.002	110.003	110.003	110.002	110.001	110.002	110.001	110.000	

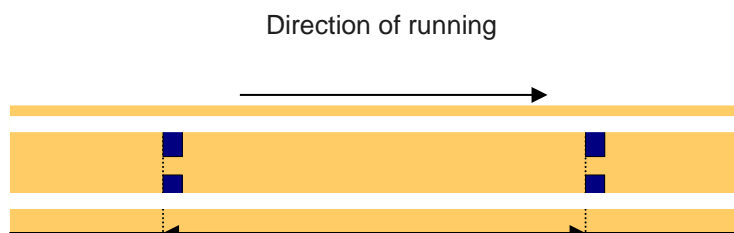
### Measured Distance to Finish Line First Lap

Curved Start	Lane 1	Lane 2	Lane 3	Lane 4	Lane 5	Lane 6	Lane 7	Lane 8	(Lane 9)
1500m	300.004	300.006	300.006	300.005	300.006	300.006	300.004	300.006	
1000m 3000m 5000m	200.003	200.005	200.006	200.005	200.005	200.005	200.004	200.006	
800m 2000m 10,000m	400.008	400.010	400.008	400.010	400.009	400.010	400.009	400.010	
1000m 3000m 3000mSC* 5000m	Outer start lane 5-8				200.005	200.006	200.005	200.006	
2000m 10,000m					400.008	400.011	400.010	400.010	

*\*optional*

Notes
-------

## 5.4 International Hurdle Events



The distances between the hurdles are measured from front to front of the marker.  
For blue marks on blue coloured tracks, red colour should be used.

**The following hurdle events are marked on the track and the measured distances to Finish Line (m):**

Tolerance on hurdle distances  $\pm 0.01$  for 100m and 110m;  $\pm 0.03$  for 400m.

	10th	9th	8th	7th	6th	5th	4th	3rd	2nd	1st
100mH	10.500	19.001	27.502	36.001	44.500	53.002	61.503	70.002	78.503	87.001
110mH	14.021	23.160	32.302	41.441	50.582	59.721	68.863	78.002	87.140	96.283
400mH	40.001	75.001	110.003	145.004	180.005	215.006	250.006	285.007	320.007	355.008

If there are sprint lanes on the second side then measurements must be provided for this additional sprint track for it to be included on the certificate.

**The following hurdle events are marked on the 2nd side and the measured distances to Finish (m):**

	10th	9th	8th	7th	6th	5th	4th	3rd	2nd	1st
100mH	10.502	19.001	27.500	36.003	44.502	53.001	61.5003	70.002	78.503	87.002
110mH	14.021	23.162	32.303	41.442	50.581	59.722	68.863	78.002	87.142	96.283

110m Hurdles (Men)	blue rectangle	0.10m x 0.05m	<input checked="" type="checkbox"/> Y <input type="checkbox"/> N
100m Hurdles (Women)	yellow rectangle	0.10m x 0.05m	<input checked="" type="checkbox"/> Y <input type="checkbox"/> N
400m Hurdles (Men / Women)	green rectangle	0.10m x 0.05m	<input checked="" type="checkbox"/> Y <input type="checkbox"/> N

There are ten flights of hurdles marked in each lane. The distances between the hurdles in each lane are in accordance with the table in the Rule.	<input checked="" type="checkbox"/> Y <input type="checkbox"/> N
The markings are on the left and right side in each lane. Markings, sizes and colours are in accordance with the Manual Marking Plan.	<input checked="" type="checkbox"/> Y <input type="checkbox"/> N

Notes

### 5.5 International Relay Races

The following international relays are marked on the track and the measured distances to the finish are (m):

In the 4 × 100m relay, the 3<sup>rd</sup> runner scratch line and the 2<sup>nd</sup> runner scratch line in each lane correspond with the 200m and 300m starts respectively and, consequently, should have the same measurements.

*For the blue marks on blue coloured tracks, red colour should be used.*

#### 4 × 100m Relay - Measured Distance to Finish

*Takeover zone length 30m ± 0.02m, with the scratch line 20m from the start of the zone.*

Takeover zone		Lane 1	Lane 2	Lane 3	Lane 4	Lane 5	Lane 6	Lane 7	Lane 8	(Lane 9)
4th	End: yellow line	90.000	90.003	90.002	90.002	90.003	90.001	90.002	90.003	
	Scratch line: white	100.001	100.002	100.001	100.002	100.003	100.002	100.003	100.001	
	Start: yellow line	120.001	120.002	120.003	120.003	120.004	120.002	120.003	120.002	
3rd	End: yellow line	190.003	190.006	190.005	190.005	190.005	190.004	190.003	190.005	
	Scratch line: white	200.003	200.005	200.004	200.004	200.005	200.005	200.003	200.006	
	Start: yellow line	220.004	220.005	220.003	220.006	220.006	220.005	220.002	220.007	
2nd	End: yellow line	290.005	290.006	290.007	290.005	290.006	290.007	290.006	290.004	
	Scratch line: white	300.004	300.006	300.007	300.006	300.006	300.007	300.005	300.006	
	Start: yellow line	320.004	320.007	320.006	320.006	320.005	320.006	320.005	320.007	

The dimensions of the relay takeover zones are in accordance with the rule.	<input checked="" type="checkbox"/> Y <input type="checkbox"/> N
Marking sizes and colours are in accordance with the Manual Marking Plan.	<input checked="" type="checkbox"/> Y <input type="checkbox"/> N

#### 4 × 400m Relay - Measured Distance to Finish

*Takeover zone length 20m ± 0.02m, with the scratch line as centre.*

*The 2nd runner middle (scratch line) corresponds with the 800m start in each lane. For ease of compilation and checking, these measures may also be quoted as 800m measures.*

Takeover zone		Lane 1	Lane 2	Lane 3	Lane 4	Lane 5	Lane 6	Lane 7	Lane 8	(Lane 9)
2nd runner	End: blue line	790.017	790.018	790.016	790.015	790.016	790.020	790.017	790.020	
	Middle: white and green line	800.016	800.019	800.014	800.017	800.016	800.019	800.017	800.018	
	Start: blue line	810.016	810.019	810.015	810.017	810.017	810.022	810.019	810.018	

All the first leg (first runner) and the first bend of the second leg (second runner) is run in separate lanes up to the breakline marked at the end of the first bend.	<input checked="" type="checkbox"/> Y <input type="checkbox"/> N
The dimensions of the relay takeover zones are in accordance with the rule.	<input checked="" type="checkbox"/> Y <input type="checkbox"/> N
Marking sizes and colours are in accordance with the Manual Marking Plan.	<input checked="" type="checkbox"/> Y <input type="checkbox"/> N

Notes
-------



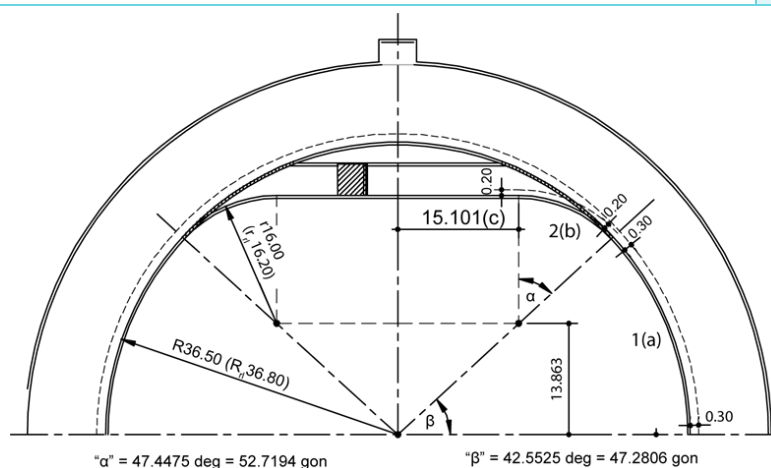
## C. Steeplechase Track

### 1. Track Details with Inside Water Jump

If the water jump Steeplechase curve is kerbed, then the curve shall be measured 0.30m out from the curve, otherwise the curve is measured 0.20m out from the painted inside border.

The Steeplechase track has an inside kerb	<input type="checkbox"/> Y <input checked="" type="checkbox"/> N
---	--

Length / Angle		Measured
Radius of inner lane	<b>R</b>	36.5008m (=)
Theoretical running line of the track (distance from inside border)	<b>L</b>	0.300m (=)
Theoretical running line of the Steeplechase track (distance from inside border)	<b>I</b>	0.200m (=)
Axis (distance between Centre Points)	<b>S</b>	84.390m (=)
Radius of Steeplechase track kerb / inside line	<b>r</b>	16.0004m (=)
Angle 1 Track	$\beta$	47.2462g <sup>o</sup> (=)
Angle 2 Steeplechase	$\alpha$	52.7538g <sup>o</sup> (=)



If the curve is not symmetrical, provide additional measure in the table above.

#### 1.1 Calculation of the Steeplechase Lap (Water Jump Inside):

Length		Measured
Curve 1 (running track)	<b>a</b>	27.311 m (+)
Curve 2 (Steeplechase)	<b>b</b>	13.425 m (+)
Straight section to centre line	<b>c</b>	15.109 m (+)
Half steeplechase track (a+b+c)	<b>z</b>	55.845 m (=)
Full symmetrical Steeplechase track (2z)	<b>d</b>	111.690 m (=)
Curve D-A	<b>e</b>	115.615 m (+)
Straight A-B	<b>f</b>	84.390 m (+)
Straight C-D	<b>g</b>	84.390 m (+)
Steeplechase Lap (d+e+f+g)	<b>h</b>	396.085 m (=)

### 1.2 Steeplechase Start Positions (Water Jump Inside):

	Theoretical	Measured	Difference	Location
2000m Steeplechase	$2000-5h= 19.575$ m	19.595 m	0.020 m	in front of A
3000m Steeplechase	$3000-7h= 227.405$ m	227.425 m	0.020 m	in front of A

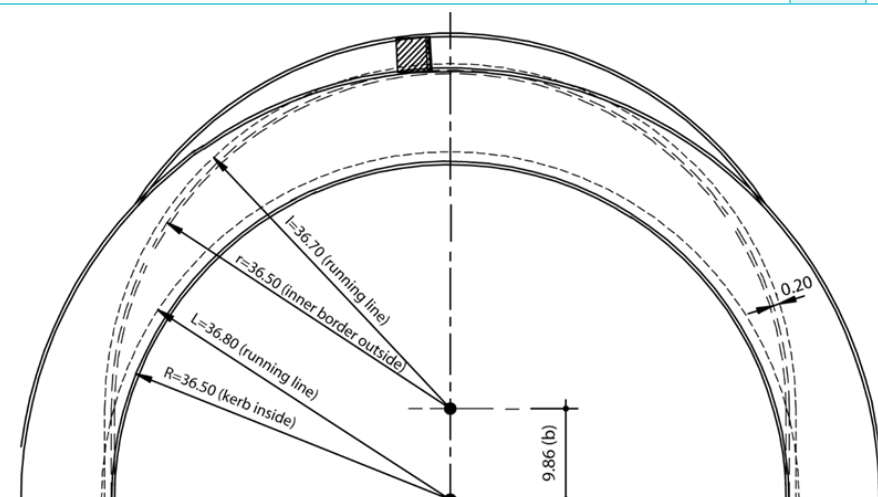
Allow for an extra +0.02m margin when marking the starts.

## 2. Track Details with Outside Water Jump

If the water jump steeplechase curve is kerbed, then the curve shall be measured 0.30m out from the curve, otherwise the curve is measured 0.20m out from the painted inside border.

The Steeplechase track has an inside kerb	<input type="checkbox"/> Y <input type="checkbox"/> N
---	---

Length		Measured
Radius of inner lane	<b>R</b>	m (=)
Theoretical running line of the track (distance from inside border)	<b>L</b>	m (=)
Theoretical running line of the Steeplechase track (distance from inside border)	<b>l</b>	m (=)
Radius of Steeplechase track kerb / inside line	<b>r</b>	m (=)



### 2.1 Calculation of the Steeplechase Lap (Water Jump Outside):

Length		Measured
Water jump curve	<b>a</b>	m (+)
Two transition straights	<b>b</b>	m (+)
Steeplechase track (a+b)	<b>d</b>	m (=)
Curve D-A	<b>e</b>	m (+)
Straight A-B	<b>f</b>	m (+)
Straight C-D	<b>g</b>	m (+)
Steeplechase Lap (d+e+f+g)	<b>h</b>	m (=)

## 2.2 Steeplechase Start Positions (Water Jump Outside):

	Theoretical	Measured	Difference	Location
2000m Steeplechase	$5h-2000=$ m	m	m	after A
3000m Steeplechase	$3000-7h=$ m	m	m	in front of A

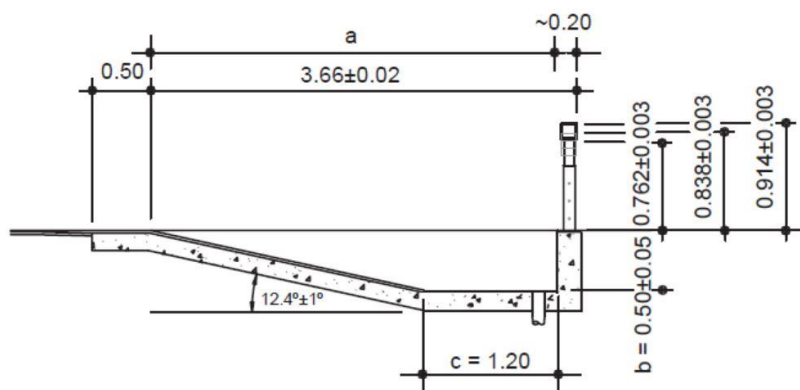
Allow for an extra +0.02m margin when marking the starts.

## 3. Steeplechase Hurdle Positions

The marked distance between the hurdle positions (ca. 1/5 of the length of the Steeplechase Lap):

Hurdle	1-2	2-3	3-4	4-5	5-1
Water jump inside	79.217m	79.217m	79.217m	79.217m	79.217m
Water jump outside	m	m	m	m	m
	3000mSC			2000mSC	
Finish line to 1st hurdle		21.999m		n/a	
5th hurdle to finish line		57.218m		n/a	
Start line to first hurdle jumped		249.424m		200.028	

4. Water Jump		Measured		
Length including the hurdle		3.660m		
Width inside		3.660m		
Length inside pit	a	3.460m		
Depth	b	0.500m		
Floor length	c	1.200m		
Slope Angle	$(\tan^{-1} b/(a-c))$	12.475°		
Hurdle length		3.660 m		
		MEN	U18 MEN	WOMEN
Hurdle height		0.916m	0.840m	0.764m
Notes				



If the hurdle is not as shown above, e.g. the hurdle supporting posts are fixed directly to the face of the pit wall, then a sketch of the arrangement with dimensions must be provided.

## FIELD EVENTS

Please use separate drawings (proformas to be used are available on the website) for providing the required spot levels. The Field Event facilities shall be identified by letters and numbers which coincide with those used in the Measurement Report and on the site plan for those facilities.

Provide reduced levels not grades on each of the runways at the intervals as requested on the proforma including all the take-off board(s), landing areas and at the planter boxes as appropriate.

For ease of checking, it will assist if the level on the pole vault box, take-off, throws circle and javelin throwing arc centre is assumed to be 0.000m.

The sign convention used by World Athletics for inclinations is that an upward inclination in the direction of running or throwing is positive. (For throws, at any radius, the lowest level is compared with the level at the centre of the appropriate throwing circle or javelin throwing arc to determine the inclination.)

### D. Facilities for Jumping Events

1. Facility for High Jump (where there are two "D" areas and there are HJ mats on both "D", then the two or more HJ facilities should be measured)		Area A	Area B
Runway	Length:	25m	25m
	Does this length include part of the track?	<input checked="" type="checkbox"/> Y <input type="checkbox"/> N	<input checked="" type="checkbox"/> Y <input type="checkbox"/> N
Take-off area	It is level or the inclination complies with the rule	<input checked="" type="checkbox"/> Y <input type="checkbox"/> N	<input checked="" type="checkbox"/> Y <input type="checkbox"/> N
Inclination	The maximum overall inclination in the last 15m of the runway and take-off area is less than 1:167 (0.6%) in the direction of the centre of the crossbar	<input checked="" type="checkbox"/> Y <input type="checkbox"/> N	<input checked="" type="checkbox"/> Y <input type="checkbox"/> N

Provide runway radial levels at the centre of the take offs (0.000m) and 15m from the centre of each High Jump take off.

2. Facility for Pole Vault		Area A1	Area B1	Area A2	Area B2
<i>It is necessary that the questions for both ends of each runway be answered as the different direction of running could result in a different answer particularly regards the overall inclination in the direction of running.</i>					
Runway	Length:	45.00m	45.00m	m	m
	Width:	1.22m	1.22m	m	m
	It is marked by white lines 0.05m in width	<input checked="" type="checkbox"/> Y <input type="checkbox"/> N	<input checked="" type="checkbox"/> Y <input type="checkbox"/> N	<input type="checkbox"/> Y <input type="checkbox"/> N	<input type="checkbox"/> Y <input type="checkbox"/> N
	There are marks beside the runway at each 0.5m between points 2.5m to 5m from the "0" line and at each 1m from 5m to 18m	<input checked="" type="checkbox"/> Y <input type="checkbox"/> N	<input checked="" type="checkbox"/> Y <input type="checkbox"/> N	<input type="checkbox"/> Y <input type="checkbox"/> N	<input type="checkbox"/> Y <input type="checkbox"/> N
Inclination	The maximum lateral inclination of the runway is less than 1:100	<input checked="" type="checkbox"/> Y <input type="checkbox"/> N	<input checked="" type="checkbox"/> Y <input type="checkbox"/> N	<input type="checkbox"/> Y <input type="checkbox"/> N	<input type="checkbox"/> Y <input type="checkbox"/> N
	In the last 40m of the runway, the overall downward inclination in the running direction is less than 1:1000	<input checked="" type="checkbox"/> Y <input type="checkbox"/> N	<input checked="" type="checkbox"/> Y <input type="checkbox"/> N	<input type="checkbox"/> Y <input type="checkbox"/> N	<input type="checkbox"/> Y <input type="checkbox"/> N
Pole Vault box	Size, material and construction are in accordance with the rule	<input checked="" type="checkbox"/> Y <input type="checkbox"/> N	<input checked="" type="checkbox"/> Y <input type="checkbox"/> N	<input type="checkbox"/> Y <input type="checkbox"/> N	<input type="checkbox"/> Y <input type="checkbox"/> N
Zero line	A white line, 0.01m wide, is drawn at right angles to the axis of the runway, in line with the top back end of the box	<input checked="" type="checkbox"/> Y <input type="checkbox"/> N	<input checked="" type="checkbox"/> Y <input type="checkbox"/> N	<input type="checkbox"/> Y <input type="checkbox"/> N	<input type="checkbox"/> Y <input type="checkbox"/> N

Provide runway levels at the box (0.000m) and at 40m from each Pole Vault box.

3. Facility for Long Jump		Area A1	Area B1	Area A2	Area B2
<i>It is necessary that the questions for both ends of each runway be answered as the different direction of running could result in a different answer particularly regards the overall inclination in the direction of running.</i>					
Runway	Length:	45.00m	45.00m	45.00m	45.00m
	Width:	1.22m	1.22m	1.22m	1.22m
	It is marked by white lines 0.05m in width	<input checked="" type="checkbox"/> Y <input type="checkbox"/> N	<input checked="" type="checkbox"/> Y <input type="checkbox"/> N	<input checked="" type="checkbox"/> Y <input type="checkbox"/> N	<input checked="" type="checkbox"/> Y <input type="checkbox"/> N
Inclination	The maximum lateral inclination of the runway is less than 1:100	<input checked="" type="checkbox"/> Y <input type="checkbox"/> N	<input checked="" type="checkbox"/> Y <input type="checkbox"/> N	<input checked="" type="checkbox"/> Y <input type="checkbox"/> N	<input checked="" type="checkbox"/> Y <input type="checkbox"/> N
	In the last 40m of the runway, the overall downward inclination in the running direction is less than 1:1000	<input checked="" type="checkbox"/> Y <input type="checkbox"/> N	<input checked="" type="checkbox"/> Y <input type="checkbox"/> N	<input checked="" type="checkbox"/> Y <input type="checkbox"/> N	<input checked="" type="checkbox"/> Y <input type="checkbox"/> N
Take-off board	It is in accordance with the rule	<input checked="" type="checkbox"/> Y <input type="checkbox"/> N	<input checked="" type="checkbox"/> Y <input type="checkbox"/> N	<input checked="" type="checkbox"/> Y <input type="checkbox"/> N	<input checked="" type="checkbox"/> Y <input type="checkbox"/> N
	Distance between the take-off line and the far end of the landing area:	10.90m	10.90m	10.90m	10.90m
	Distance between the take-off line and the nearer end of the landing area:	2.00m	2.00m	2.00m	2.00m
Landing area	Total width:	2.80m	2.80m	2.80m	2.80m
	The axis of the runway is in line with the centre line of the landing area	<input checked="" type="checkbox"/> Y <input type="checkbox"/> N	<input checked="" type="checkbox"/> Y <input type="checkbox"/> N	<input checked="" type="checkbox"/> Y <input type="checkbox"/> N	<input checked="" type="checkbox"/> Y <input type="checkbox"/> N
<i>Provide levels at each take-off board (0.000m), 40m from each Long Jump take-off board and at the landing area kerb four corners. If there are multiple horizontal jump runways using a common landing area that must have temporary taping during competition to limit the landing area width to 3.00m maximum, then additional levels shall be provided where the temporary taping will intersect the landing area surround.</i>					

Notes

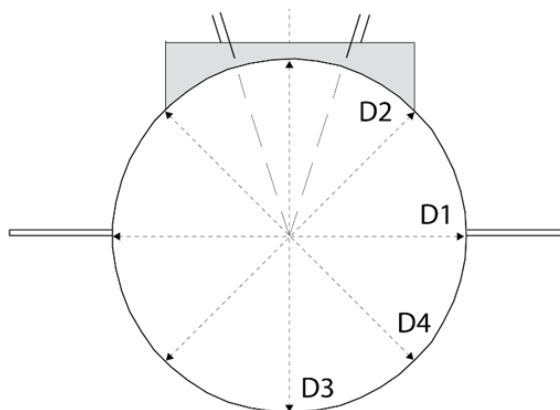


4. Facility for Triple Jump			Area A1	Area B1	Area A2	Area B2
<i>It is necessary that the questions for both ends of each runway be answered as the different direction of running could result in a different answer particularly regards the overall inclination in the direction of running.</i>						
Runway	Length:	Men	45.00m	45.00m	45.00m	45.00m
		Women	47.00m	47.00m	47.00m	47.00m
	Width:		1.22m	1.22m	1.22m	1.22m
	It is marked by white lines 0.05m in width		<input checked="" type="checkbox"/> Y <input type="checkbox"/> N	<input checked="" type="checkbox"/> Y <input type="checkbox"/> N	<input checked="" type="checkbox"/> Y <input type="checkbox"/> N	<input checked="" type="checkbox"/> Y <input type="checkbox"/> N
Inclination	The maximum lateral inclination of the runway is less than 1:100		<input checked="" type="checkbox"/> Y <input type="checkbox"/> N	<input checked="" type="checkbox"/> Y <input type="checkbox"/> N	<input checked="" type="checkbox"/> Y <input type="checkbox"/> N	<input checked="" type="checkbox"/> Y <input type="checkbox"/> N
	In the last 40m of the runway, the overall downward inclination in the running direction is less than 1:1000		<input checked="" type="checkbox"/> Y <input type="checkbox"/> N	<input checked="" type="checkbox"/> Y <input type="checkbox"/> N	<input checked="" type="checkbox"/> Y <input type="checkbox"/> N	<input checked="" type="checkbox"/> Y <input type="checkbox"/> N
Take-off board	It is in accordance with the rule		<input checked="" type="checkbox"/> Y <input type="checkbox"/> N	<input checked="" type="checkbox"/> Y <input type="checkbox"/> N	<input checked="" type="checkbox"/> Y <input type="checkbox"/> N	<input checked="" type="checkbox"/> Y <input type="checkbox"/> N
	Distance between the take-off line and far end of the landing area:	Men	21.90m	21.90m	21.90m	21.90m
		Women	19.90m	19.90m	19.90m	19.90m
	Distance between the take-off line and the nearer end of the landing area:	Men	13.00m	13.00m	13.00m	13.00m
Women		11.00m	11.00m	11.00m	11.00m	
Landing area	Total width:		2.80m	2.80m	2.80m	2.80m
	The axis of the runway is in line with the centre line of the landing area.		<input checked="" type="checkbox"/> Y <input type="checkbox"/> N	<input checked="" type="checkbox"/> Y <input type="checkbox"/> N	<input checked="" type="checkbox"/> Y <input type="checkbox"/> N	<input checked="" type="checkbox"/> Y <input type="checkbox"/> N
<i>Provide levels as at Long Jump. Please use a separate form for each Triple Jump board.</i>						
Notes						

## E. Facilities for Throwing Events

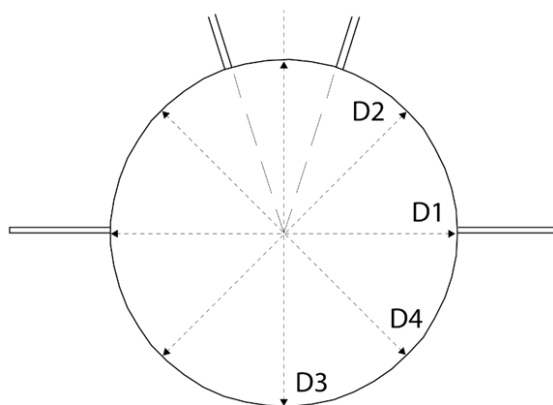
1. Facility for Shot Put		Circle A	Circle B	Circle C	
Circle	The material complies with the rule	<input checked="" type="checkbox"/> Y <input type="checkbox"/> N	<input checked="" type="checkbox"/> Y <input type="checkbox"/> N	<input type="checkbox"/> Y <input type="checkbox"/> N	
	The top of the rim is flush with the ground outside	<input checked="" type="checkbox"/> Y <input type="checkbox"/> N	<input checked="" type="checkbox"/> Y <input type="checkbox"/> N	<input type="checkbox"/> Y <input type="checkbox"/> N	
	White lines (min. 0.75m) are drawn from the top of the rim	<input checked="" type="checkbox"/> Y <input type="checkbox"/> N	<input checked="" type="checkbox"/> Y <input type="checkbox"/> N	<input type="checkbox"/> Y <input type="checkbox"/> N	
	Material of the interior surface:	Concrete	Concrete		
	Surface is level and lower than upper edge of rim	<input checked="" type="checkbox"/> Y <input type="checkbox"/> N	<input checked="" type="checkbox"/> Y <input type="checkbox"/> N	<input type="checkbox"/> Y <input type="checkbox"/> N	
	The metal rim is min. 6mm thick and is painted white	<input checked="" type="checkbox"/> Y <input type="checkbox"/> N	<input checked="" type="checkbox"/> Y <input type="checkbox"/> N	<input type="checkbox"/> Y <input type="checkbox"/> N	
	D1	Diameter	2.135m	2.135m	m
		Depth	0.020m	0.020m	m
		Depth	0.021m	0.020m	m
	D2	Diameter	2.132m	2.134m	m
		Depth	0.021m	0.020m	m
		Depth	0.020m	0.021m	m
	D3	Diameter	2.131m	2.132m	m
		Depth	0.021m	0.021m	m
		Depth	0.020m	0.020m	m
	D4	Diameter	2.133m	2.135m	m
		Depth	0.020m	0.020m	m
Depth		0.021m	0.020m	m	
Depth at centre		0.020m	0.020m	m	
Landing sector	It consists of (material):	Grass	Grass		
	The maximum overall downward inclination in the putting direction does not exceed 1:1000	<input checked="" type="checkbox"/> Y <input type="checkbox"/> N	<input type="checkbox"/> Y <input checked="" type="checkbox"/> N	<input type="checkbox"/> Y <input type="checkbox"/> N	
<i>Provide levels at the centre of the circles (0.000m), and for the landing areas at the 10m, 15m, 20m and 25m arcs at the two sector extremities and the centreline.</i>					

*The stop board must be checked before a competition.*

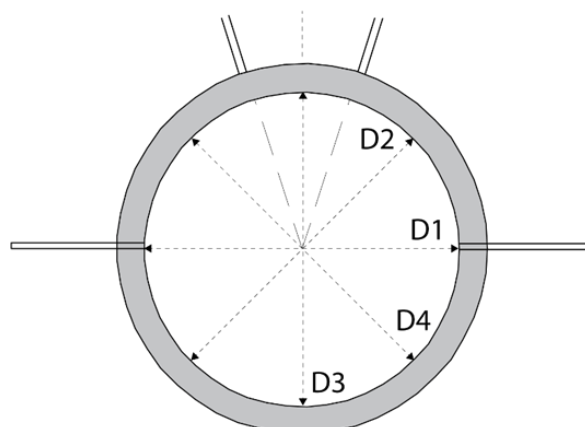


2. Facility for Discus Throw		Circle A	Circle B	
Circle	The material used complies with the Rule	<input checked="" type="checkbox"/> Y <input type="checkbox"/> N	<input checked="" type="checkbox"/> Y <input type="checkbox"/> N	
	The top of the rim is flush with the ground outside	<input checked="" type="checkbox"/> Y <input type="checkbox"/> N	<input checked="" type="checkbox"/> Y <input type="checkbox"/> N	
	White lines are drawn from the top of the metal rim	<input checked="" type="checkbox"/> Y <input type="checkbox"/> N	<input checked="" type="checkbox"/> Y <input type="checkbox"/> N	
	Material of the interior surface:	Concrete	Concrete	
	The surface is level and lower than the upper edge of the rim of the circle	<input checked="" type="checkbox"/> Y <input type="checkbox"/> N	<input checked="" type="checkbox"/> Y <input type="checkbox"/> N	
	The rim is min. 6mm thick and is painted white	<input checked="" type="checkbox"/> Y <input type="checkbox"/> N	<input checked="" type="checkbox"/> Y <input type="checkbox"/> N	
	D1	Diameter	2.500m	2.500m
		Circle depth	0.020m	0.021m
		Circle depth	0.020m	0.020m
	D2	Diameter	2.504m	2.500m
		Circle depth	0.021m	0.020m
		Circle depth	0.020m	0.020m
	D3	Diameter	2.500m	2.502m
		Circle depth	0.020m	0.021m
		Circle depth	0.021m	0.020m
D4	Diameter	2.502m	2.501m	
	Circle depth	0.021m	0.020m	
	Circle depth	0.020m	0.021m	
	Circle depth at centre	0.020m	0.020m	
Landing sector	It consists of (material):	Grass	Grass	
	The maximum overall downward inclination in the putting direction does not exceed 1:1000	<input checked="" type="checkbox"/> Y <input type="checkbox"/> N	<input checked="" type="checkbox"/> Y <input type="checkbox"/> N	

*Provide levels at the centre of the circles (0.000m), and for the landing areas at the 30m, 50m, 70m and 80m arcs at the two sector extremities and the centreline. Depth to be provided at each end of the diameter.*



3. Facility for Hammer Throw		Circle A	Circle B	
<i>The hammer could be thrown from the discus circle provided the diameter of this circle is reduced from 2.5m to 2.135m by placing a circular ring inside.</i>				
Circle	The material used complies with the Rule	<input checked="" type="checkbox"/> Y <input type="checkbox"/> N	<input type="checkbox"/> Y <input type="checkbox"/> N	
	The of the rim is flush with the ground outside	<input checked="" type="checkbox"/> Y <input type="checkbox"/> N	<input type="checkbox"/> Y <input type="checkbox"/> N	
	White lines are drawn from the top of the metal rim	<input checked="" type="checkbox"/> Y <input type="checkbox"/> N	<input type="checkbox"/> Y <input type="checkbox"/> N	
	Material of the interior surface:	Concrete		
	The surface is level and lower than the upper edge of the rim of the circle	<input checked="" type="checkbox"/> Y <input type="checkbox"/> N	<input type="checkbox"/> Y <input type="checkbox"/> N	
	The rim is min. 6mm thick and is painted white	<input checked="" type="checkbox"/> Y <input type="checkbox"/> N	<input type="checkbox"/> Y <input type="checkbox"/> N	
	D1	Diameter	2.135m	m
		Circle depth	0.020m	m
		Circle depth	0.020m	m
	D2	Diameter	2.133m	m
		Circle depth	0.021m	m
		Circle depth	0.020m	m
	D3	Diameter	2.135m	m
		Circle depth	0.020m	m
		Circle depth	0.021m	m
D4	Diameter	2.136m	m	
	Circle depth	0.021m	m	
	Circle depth	0.020m	m	
Circle depth at centre		0.020m	m	
Landing sector	It consists of (material):	Grass		
	The maximum overall downward inclination in the putting direction does not exceed 1:1000	<input checked="" type="checkbox"/> Y <input type="checkbox"/> N	<input type="checkbox"/> Y <input type="checkbox"/> N	
<i>Provide levels at the centre of the circles (0.000m), and for the landing areas at the 30m, 50m, 70m, 80m and 90m arcs at the two sector extremities and the centreline. (Also, for combined discus and hammer sites.) Depth to be provided at each end of the diameter.</i>				

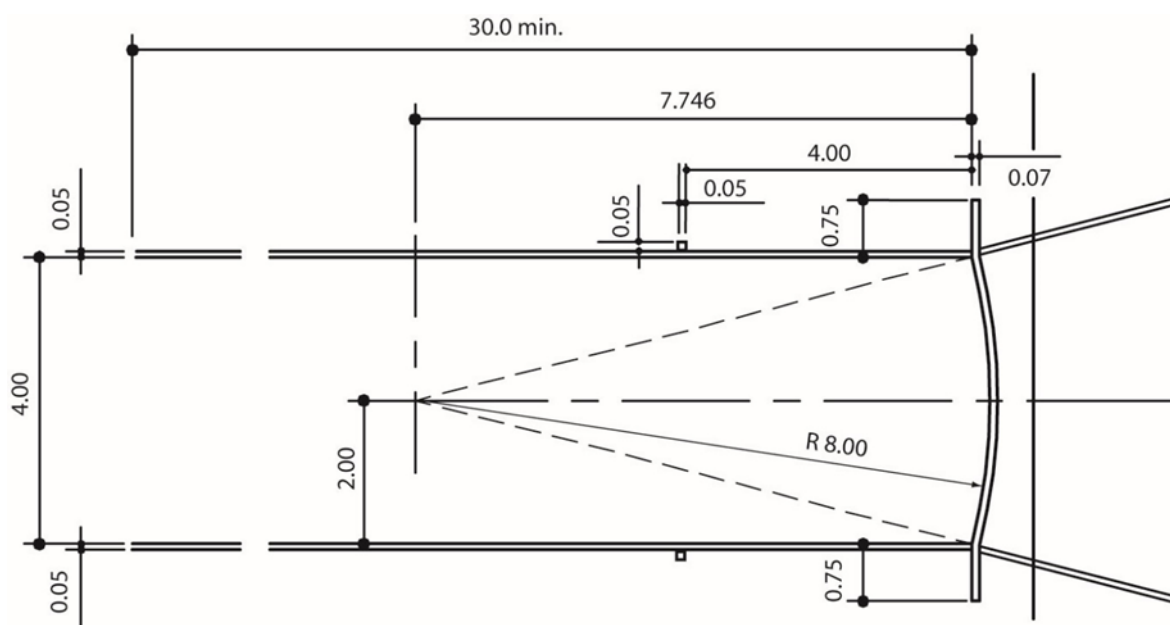




4. Facility for Javelin Throw		Runway A	Runway B
<b>Runway</b>	Length:	30.000m	35.360m
	It is marked by two parallel white lines 0.05m wide and 4m apart	<input checked="" type="checkbox"/> Y <input type="checkbox"/> N	<input checked="" type="checkbox"/> Y <input type="checkbox"/> N
	The size and construction of the arc is in accordance with the Rules	<input checked="" type="checkbox"/> Y <input type="checkbox"/> N	<input checked="" type="checkbox"/> Y <input type="checkbox"/> N
	To assist the officials in determining the leaving of the runway, 2 white square marks, 0.05m x 0.05m, are painted beside the runway 4 m back from the end points of the throwing arc	<input checked="" type="checkbox"/> Y <input type="checkbox"/> N	<input checked="" type="checkbox"/> Y <input type="checkbox"/> N
	The maximum lateral inclination of the runway does not exceed 1:100	<input checked="" type="checkbox"/> Y <input type="checkbox"/> N	<input checked="" type="checkbox"/> Y <input type="checkbox"/> N
	In the last 20m of the runway, the overall downward inclination in the running direction is less than 1:1000	<input checked="" type="checkbox"/> Y <input type="checkbox"/> N	<input checked="" type="checkbox"/> Y <input type="checkbox"/> N
<b>Landing sector</b>	It consists of (material):	Grass	Grass
	The maximum overall downward inclination in the throwing direction does not exceed 1:1000	<input checked="" type="checkbox"/> Y <input type="checkbox"/> N	<input checked="" type="checkbox"/> Y <input type="checkbox"/> N

*Runway: Provide runway levels at the centre (0.000m) and extremities of the throwing arc, and at 20m from the throwing arc.*

*Landing area: Provide levels at the at the centre of the throwing arcs (0.000m), and for the landing areas at the 30m, 50m, 70m, 90m and 100m arcs at the two sector extremities and the centreline.*





## F. Attachments

Check mark the appropriate box  below for each attachment provided with this report.

- Certificates of instrument accuracy
- Plan showing Field Event layouts relative to the track (layout drawing) with the facilities identified by letters and numbers which coincide with those used in the Measurement Report. Mark on the plan all the Field Event facilities built at the arena, but identify those that cannot be included in the certificate.
- Levels at 200m and at the finish line on the oval track, and at the 100m and 110m start in the main straight (and second straight as well if it is part of the report)
- Field Event site levels (runways and landing areas) as requested in the form

## G. Conclusions

The competition area was checked regarding layout, gradient and dimensional accuracy.


- I hereby certify that all measurements and information shown in this report are accurate and are the result of a well-conducted survey.

Considering the attached measurements made during the inspection of the facility, I recommend that the facility be granted a CLASS 2 Athletics Facility Certificate or, with a successful synthetic surface field test, a CLASS 1 Athletics Facility Certificate.

YES       NO

If the answer is NO please state below the reason(s) why the facility does not come under the rules and if a Confirmation of Compliance is recommended.

The landing area for Shot Put B is low and Fails.

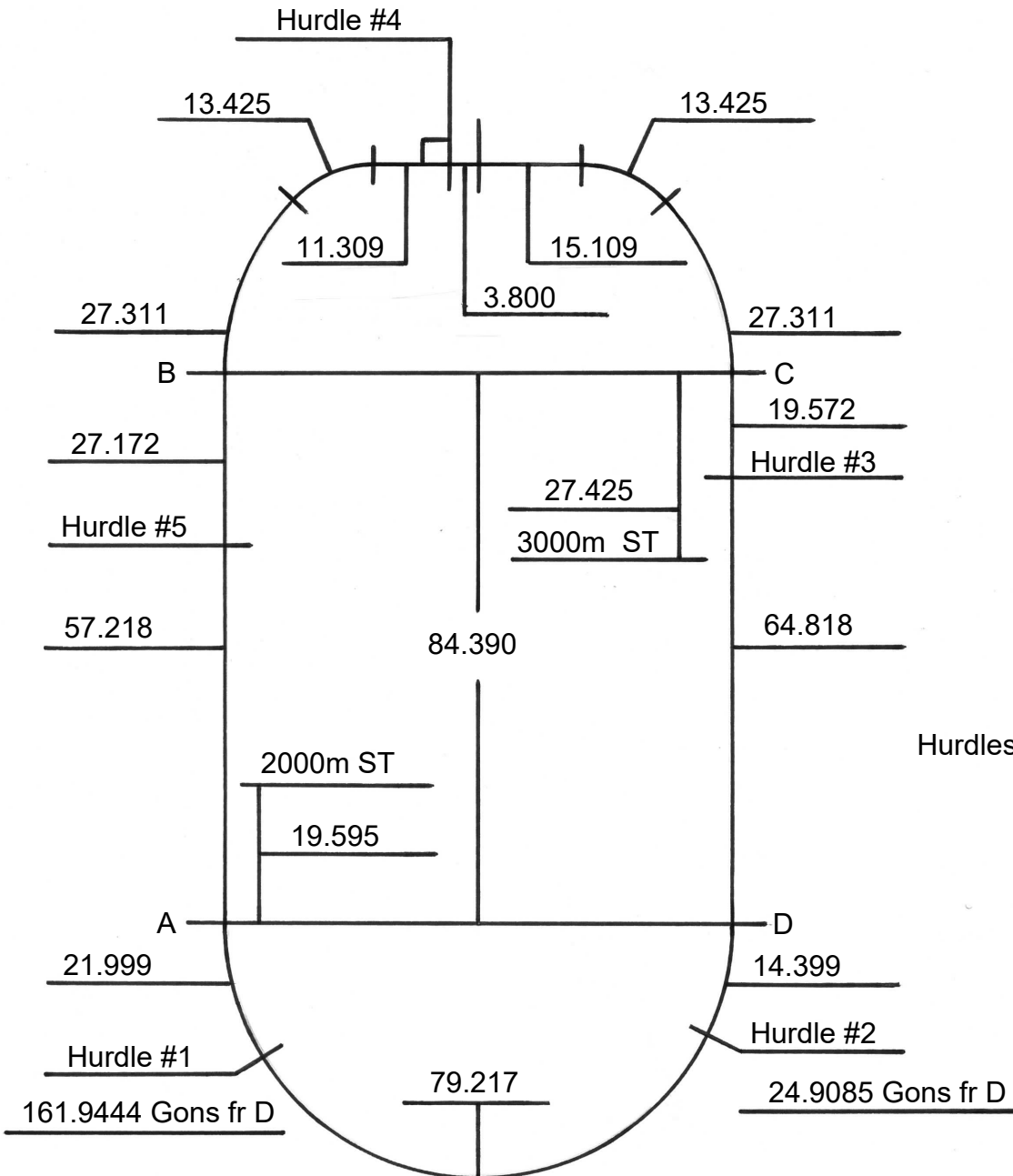
Surveyor:	J. Vivash	
Date	Signature (scanned accepted)	
16 / 5 / 2022		

Bunbury

Starts

$$2000 - (396.085 \times 5) = 19.575 + 0.020 = 19.595 \text{ m}$$

$$3000 - (396.085 \times 7) = 227.405 + 0.020 = 227.425 \text{ m}$$



Hurdles are "Equal Spacing"  
5 at 79.217

Radius numbers used are after painted averages

Water Jump Large Radius is  $36.5008 + 0.300 = 36.8008 \times 47.2462 \text{ gons} = 27.311$

Water Jump Small Radius is  $16.0004 + 0.200 = 16.2004 \times 52.7538 \text{ gons} = 13.425$

(Small Radius is an average of both sides)

Water Jump Straight = 15.109

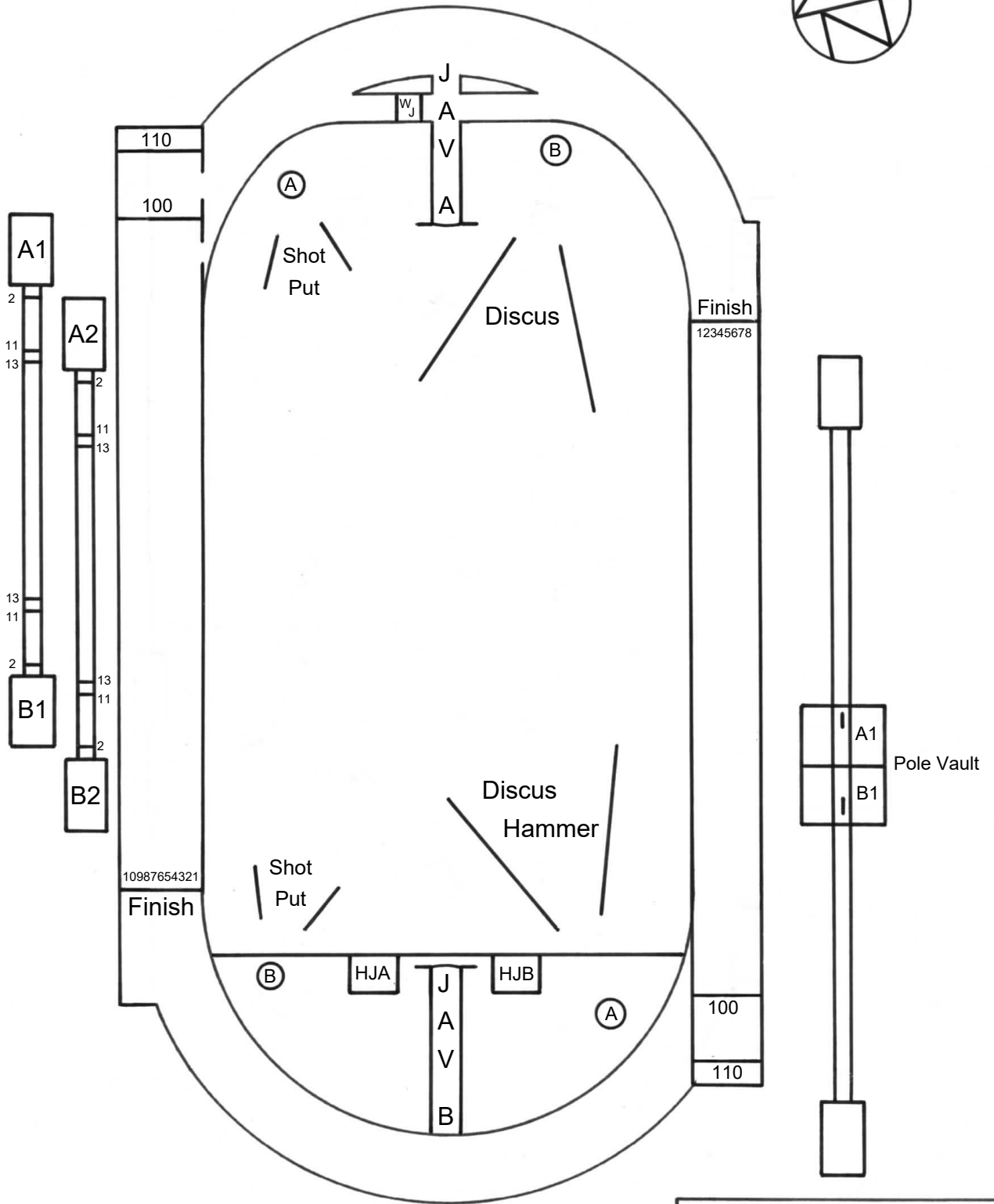
Half Water Jump Bend Total = 55.845

Total Water Jump Bend is above Half Total  $\times 2 = 111.690$

A - D Bend is  $36.5013 + 0.300 = 36.8013 \times 200 \text{ gons} = 115.615$

Large Straight is  $84.390 \times 2 = 168.780$

Total Steeplechase Lap = 396.085



Bunbury Athletics Track  
Layout Sketch  
J.V. N.T.S.

## SPOT LEVELS

### FACILITIES MEASUREMENT

This form must be sent to: [technicalofficer@worldathletics.org](mailto:technicalofficer@worldathletics.org)  
together with the Facilities Measurement Report

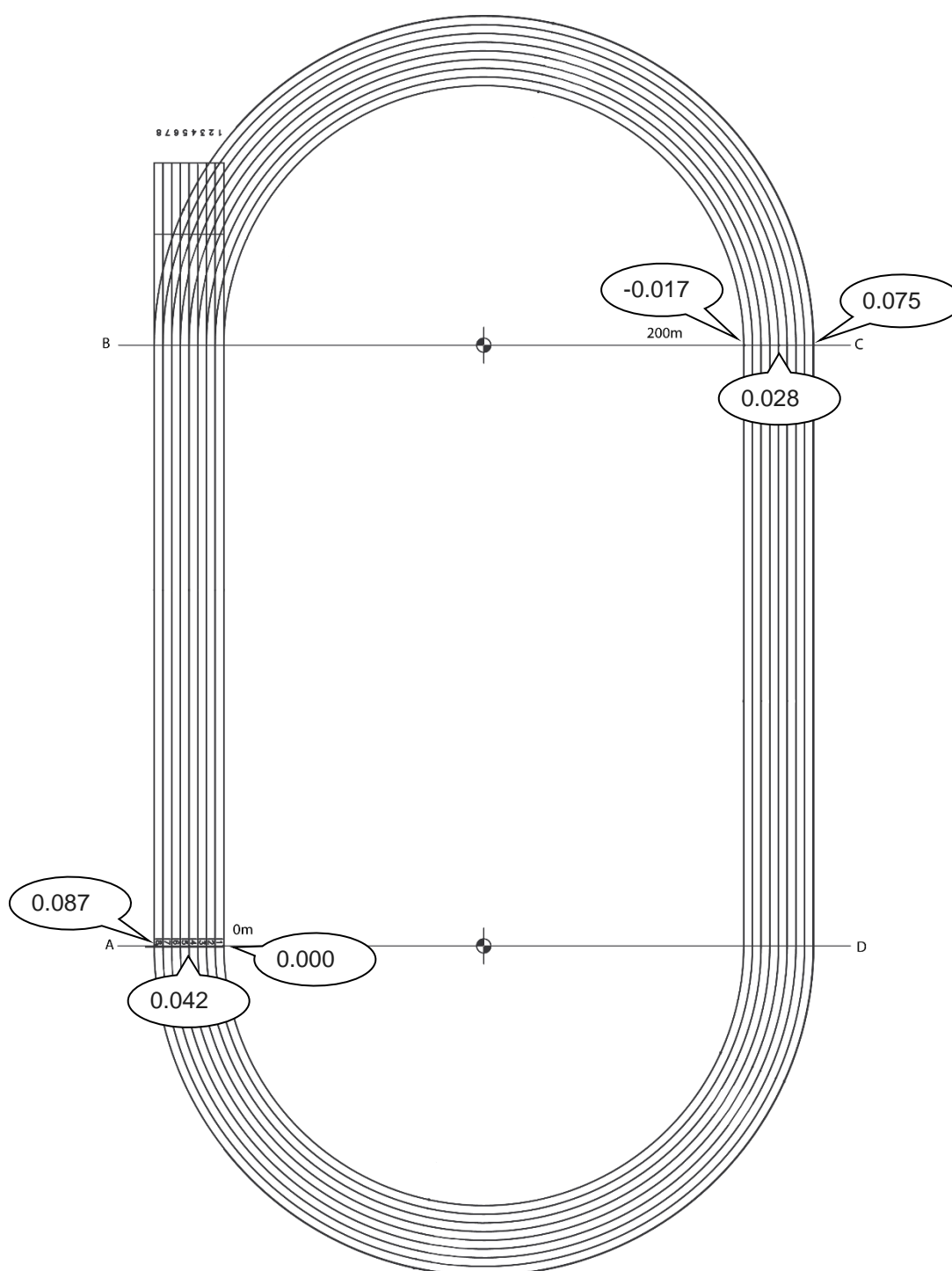
- All the information required in this form must be determined by the surveyor, and he should not rely on any measurement work that may have been done by others.
- It is not for the surveyor or others to determine whether dispensations might be provided for any non-conformity with the Rules or the specification in the Manual. These are matters for World Athletics alone to determine. Certification will be delayed until the levels on the track, runways or landing areas conform. Therefore, non-conformities should be corrected before a submission is made.
- If there are more facilities than allowed for on the form, the same information as that requested should be provided for the extra facilities. This applies also to a back straight sprint track marked for competition.
- Provide and attach a Certificate of Instrument Accuracy for the instruments used in the survey, current at the time of the survey (less than one year old), that can be traced back to national and international standards of measurement.
- For ease of distribution and handling, the report should be in Word document or pdf format. The measurements should be typed onto the form.
- All levels to be provided in metres to three decimal places.
- The Field Event facilities shall be identified by letters and numbers which coincide with those used in the Measurement Report and on the site plan for those facilities.
- For ease of checking, it will assist if the level on the take-off, pole vault box, throws circle and javelin throwing arc centre is assumed to be 0.000m.
- Provide reduced levels not grades at the intervals as requested on the proforma.
- The sign convention used by World Athletics for inclinations is that an upward inclination in the running or throwing direction is positive. (For throws, at any radius, the lowest level is compared with the level at the centre of the appropriate throwing circle or javelin throwing arc to determine the inclination. For Horizontal Jumps landing pits, the highest level at the take-off board is compared with the level at the landing area kerb four corners.)

City	Bunbury	Name of Facility	Bunbury Athletics Track
------	---------	------------------	-------------------------

### Spot Levels – Track Oval

Site identification:	8 Lane Track Grades
----------------------	---------------------

The level at the Finish Line is assumed to be 0.000m. Three check-points should be taken in a line: inside lane one, in the centre of the track and outside the outer lane. Levels need to be provided at 200m, and at the Finish Line on the oval track.

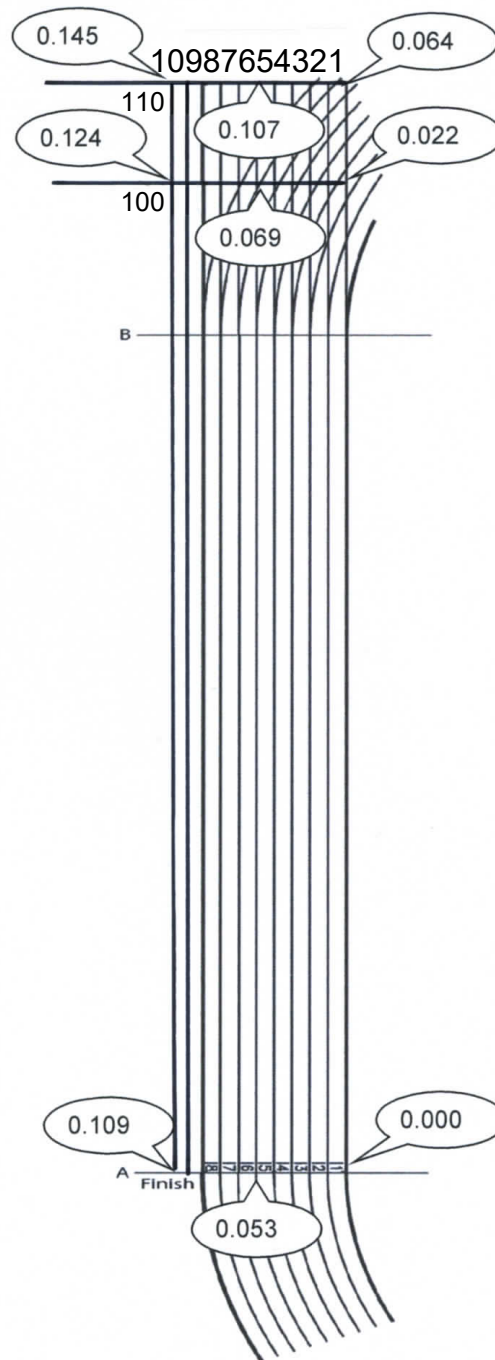


City	Bunbury	Name of Facility	Bunbury Athletics Track
------	---------	------------------	-------------------------

### Spot Levels – Finish Straight

Site identification:	10 Lane Main Straight
----------------------	-----------------------

The level at the Finish Line is assumed to be 0.000m. Three check-points should be taken in a line: inside lane one, in the centre of the track and outside the outer lane. Levels need to be provided at the 100m and 110m start, and at the Finish Line on the straight.

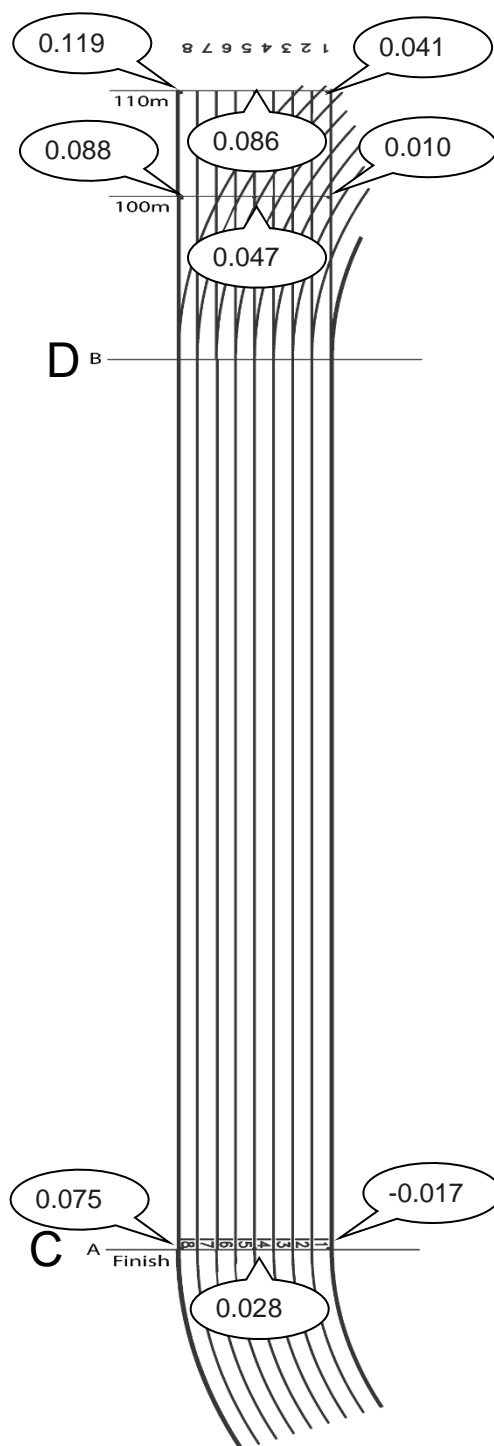


City	Bunbury	Name of Facility	Bunbury Athletics Track
------	---------	------------------	-------------------------

### Spot Levels – Second Side Straight

Site identification:	Second Side Straight
----------------------	----------------------

The level at the Finish Line is assumed to be 0.000m. Three check-points should be taken in a line: inside lane one, in the centre of the track and outside the outer lane. Levels need to be provided at the 100m and 110m start, and at the Finish Line on the straight.



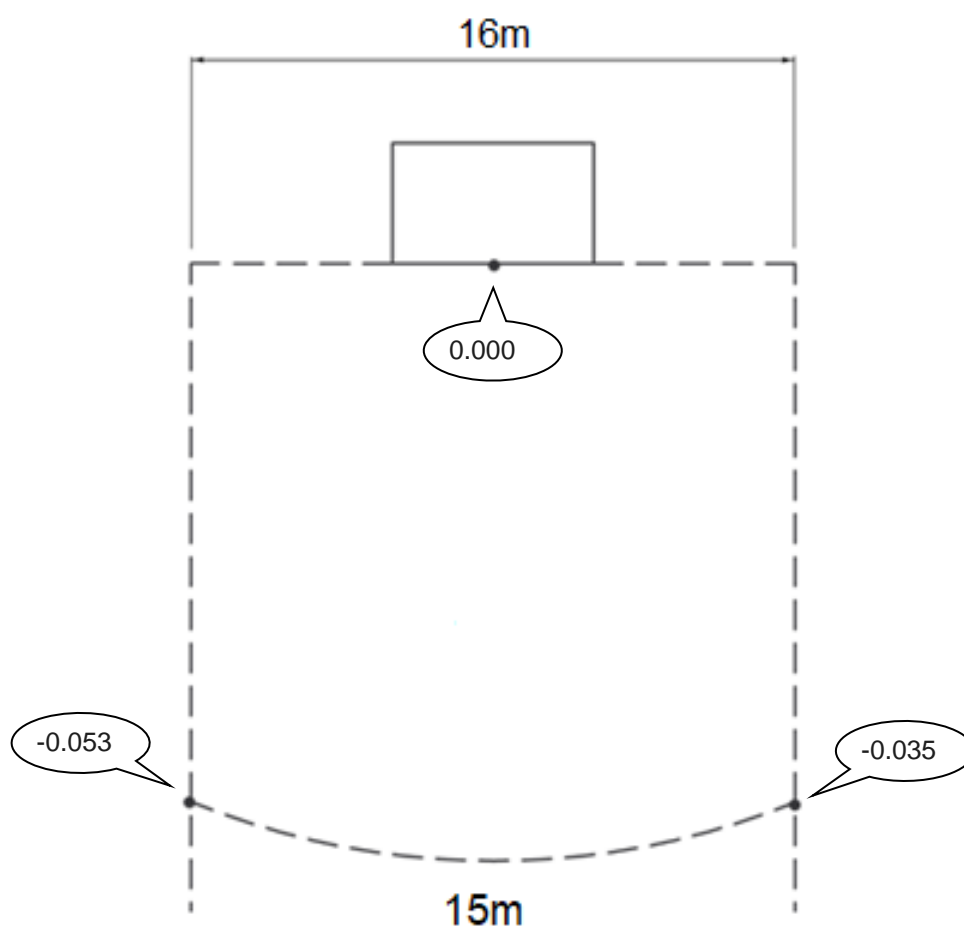


City	Bunbury	Name of Facility	Bunbury Athletics Track
------	---------	------------------	-------------------------

### Spot Levels – HIGH JUMP

Site identification:	A
----------------------	---

Provide runway radial levels at the centre of the take offs (0.000m) and 15m from the centre of each High Jump take off.

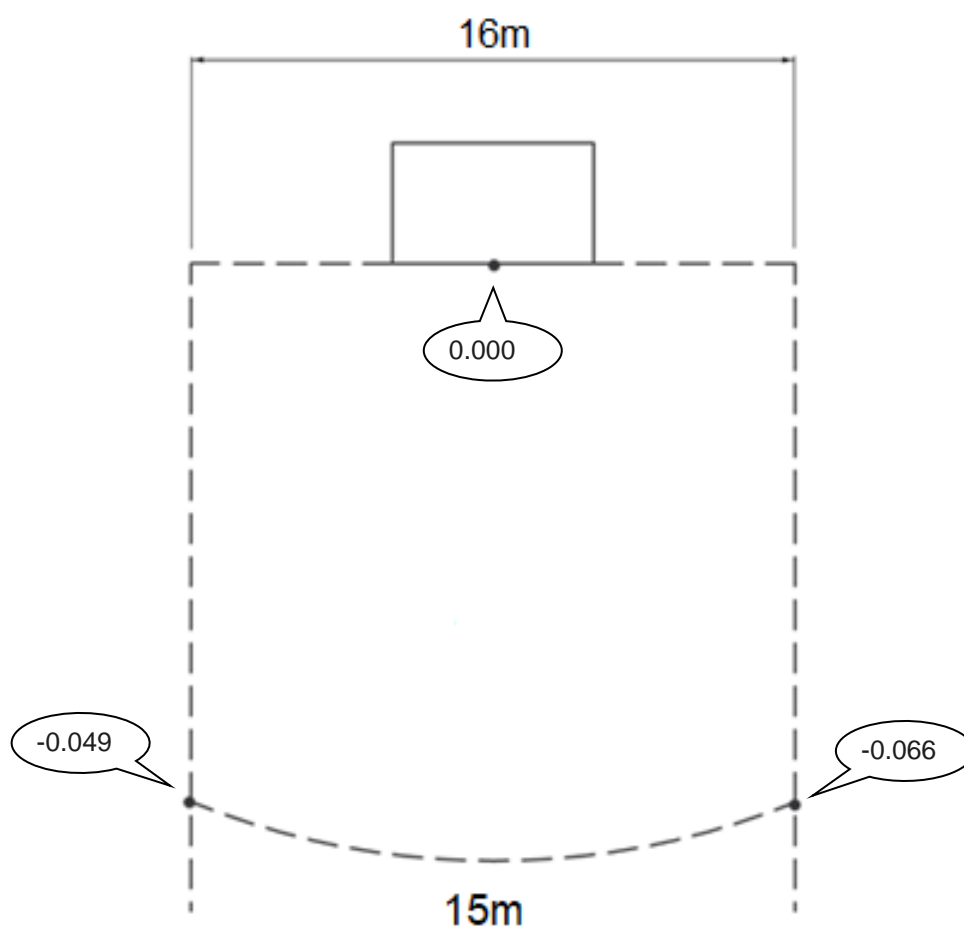


City	Bunbury	Name of Facility	Bunbury Athletics Track
------	---------	------------------	-------------------------

### Spot Levels – HIGH JUMP

Site identification:	B
----------------------	---

Provide runway radial levels at the centre of the take offs (0.000m) and 15m from the centre of each High Jump take off.

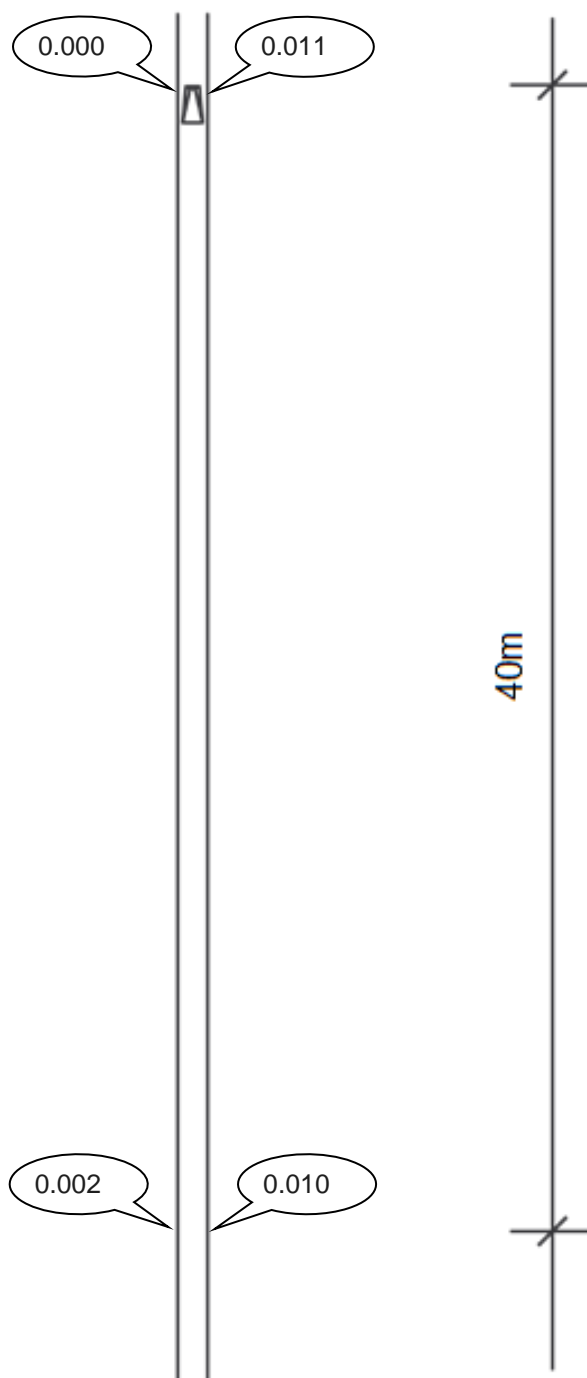


City	Bunbury	Name of Facility	Bunbury Athletics Track
------	---------	------------------	-------------------------

### Spot Levels – POLE VAULT

Site identification:	A1
----------------------	----

Provide runway levels at the box (0.000m) and at 40m from each Pole Vault box.

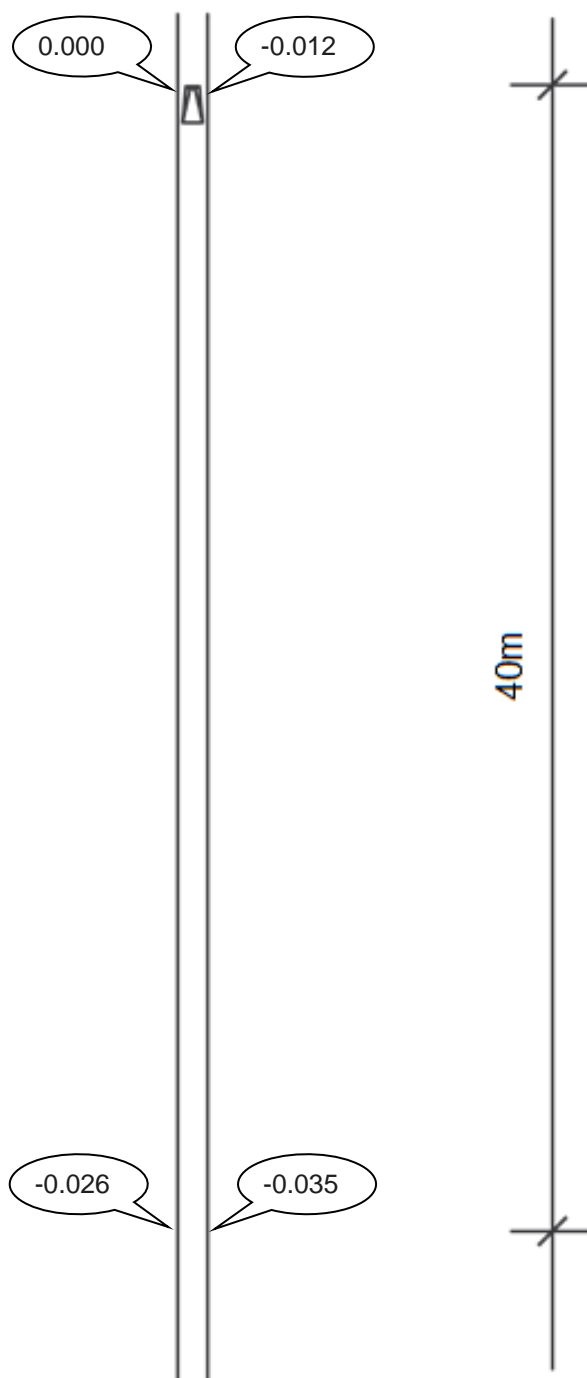


City	Bunbury	Name of Facility	Bunbury Athletics Track
------	---------	------------------	-------------------------

### Spot Levels – POLE VAULT

Site identification:	B1
----------------------	----

Provide runway levels at the box (0.000m) and at 40m from each Pole Vault box.



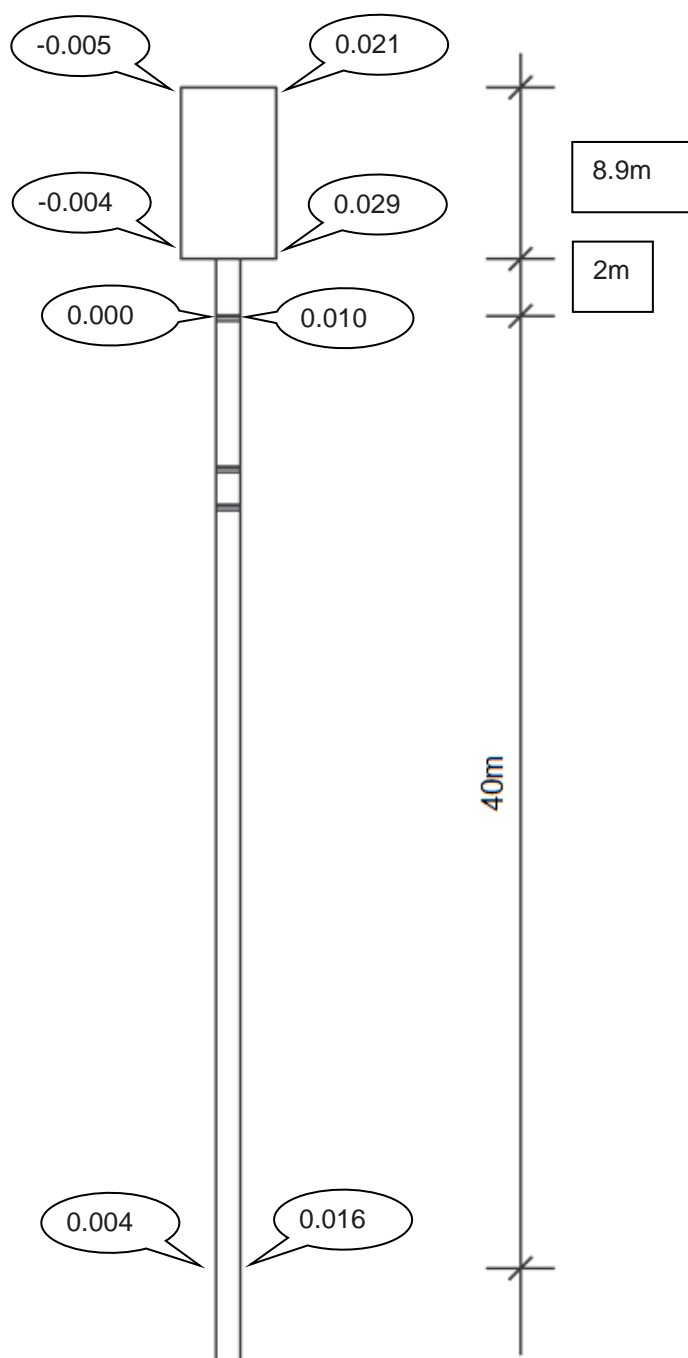
City	Bunbury	Name of Facility	Bunbury Athletics Track
------	---------	------------------	-------------------------

### Spot Levels – LONG JUMP

Site identification:	A1
----------------------	----

Provide levels at each take-off board (0.000m), 40m from each Long Jump take-off board and at the landing area kerb four corners.

If there are multiple horizontal jump runways using a common landing area that must have temporary taping during competition to limit the landing area width to 3.00m maximum, then additional levels shall be provided where the temporary taping will intersect the landing area surround.



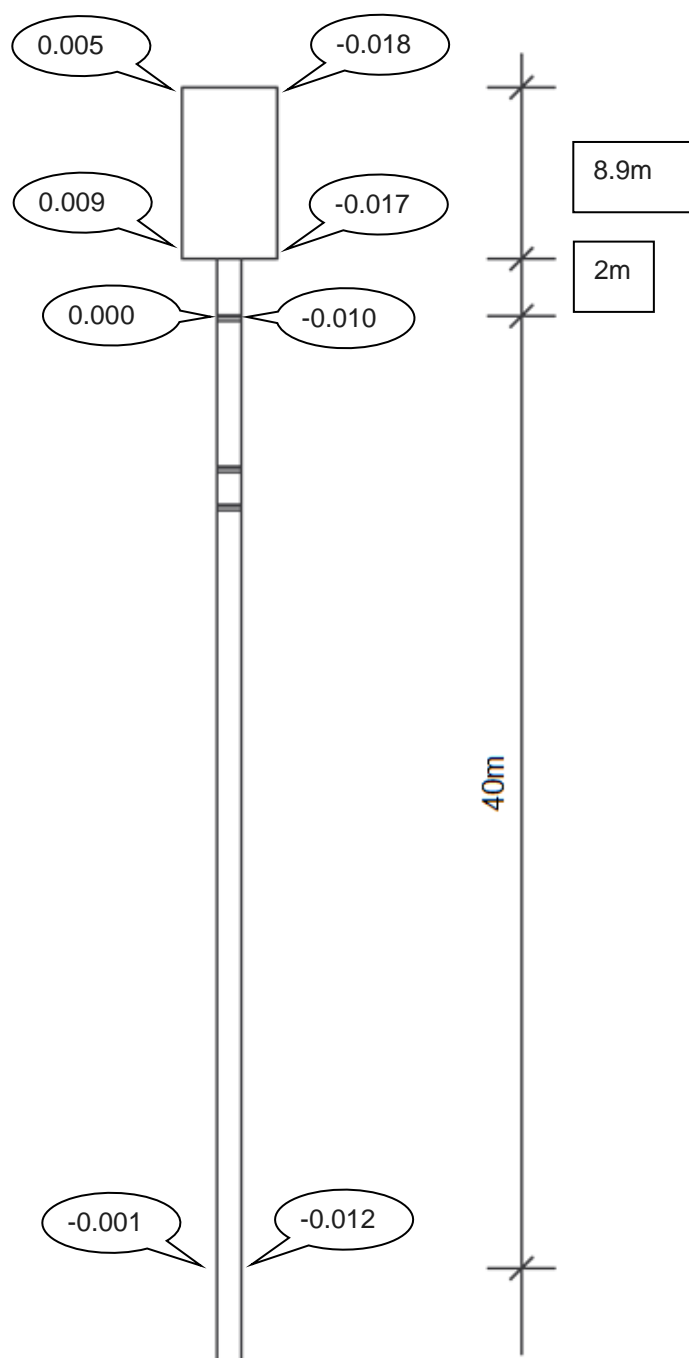
City	Bunbury	Name of Facility	Bunbury Athletics Track
------	---------	------------------	-------------------------

### Spot Levels – LONG JUMP

Site identification:	B1
----------------------	----

Provide levels at each take-off board (0.000m), 40m from each Long Jump take-off board and at the landing area kerb four corners.

If there are multiple horizontal jump runways using a common landing area that must have temporary taping during competition to limit the landing area width to 3.00m maximum, then additional levels shall be provided where the temporary taping will intersect the landing area surround.



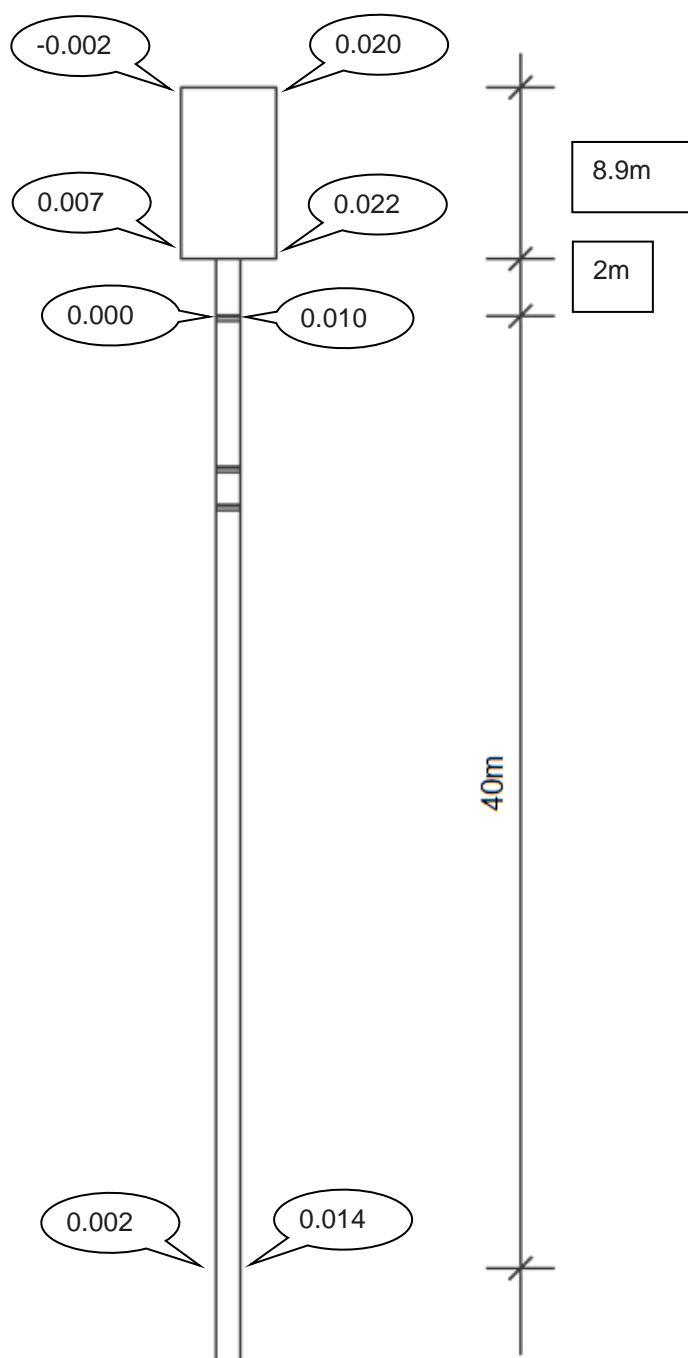
City	Bunbury	Name of Facility	Bunbury Athletics Track
------	---------	------------------	-------------------------

### Spot Levels – LONG JUMP

Site identification:	A2
----------------------	----

Provide levels at each take-off board (0.000m), 40m from each Long Jump take-off board and at the landing area kerb four corners.

If there are multiple horizontal jump runways using a common landing area that must have temporary taping during competition to limit the landing area width to 3.00m maximum, then additional levels shall be provided where the temporary taping will intersect the landing area surround.





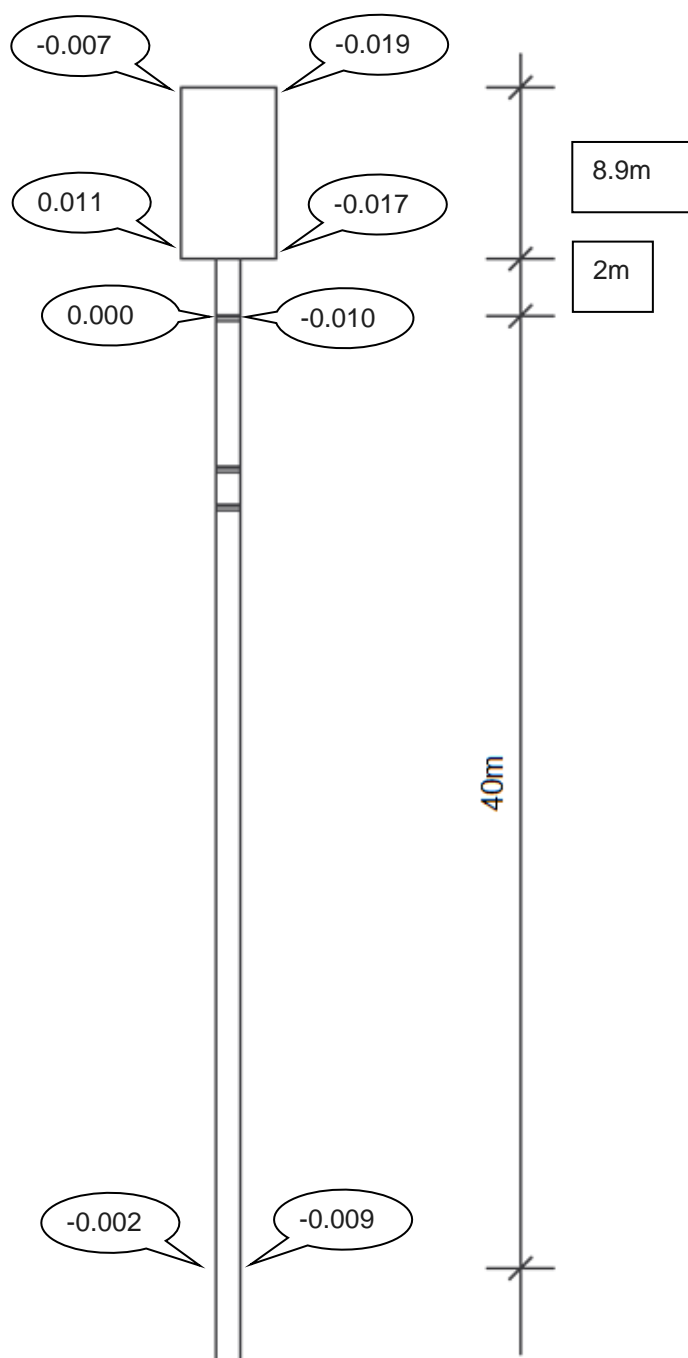
City	Bunbury	Name of Facility	Bunbury Athletics Track
------	---------	------------------	-------------------------

### Spot Levels – LONG JUMP

Site identification:	B2
----------------------	----

Provide levels at each take-off board (0.000m), 40m from each Long Jump take-off board and at the landing area kerb four corners.

If there are multiple horizontal jump runways using a common landing area that must have temporary taping during competition to limit the landing area width to 3.00m maximum, then additional levels shall be provided where the temporary taping will intersect the landing area surround.





WORLD

City	Bunbury	Name of Facility	Bunbury Athletics Track
------	---------	------------------	-------------------------

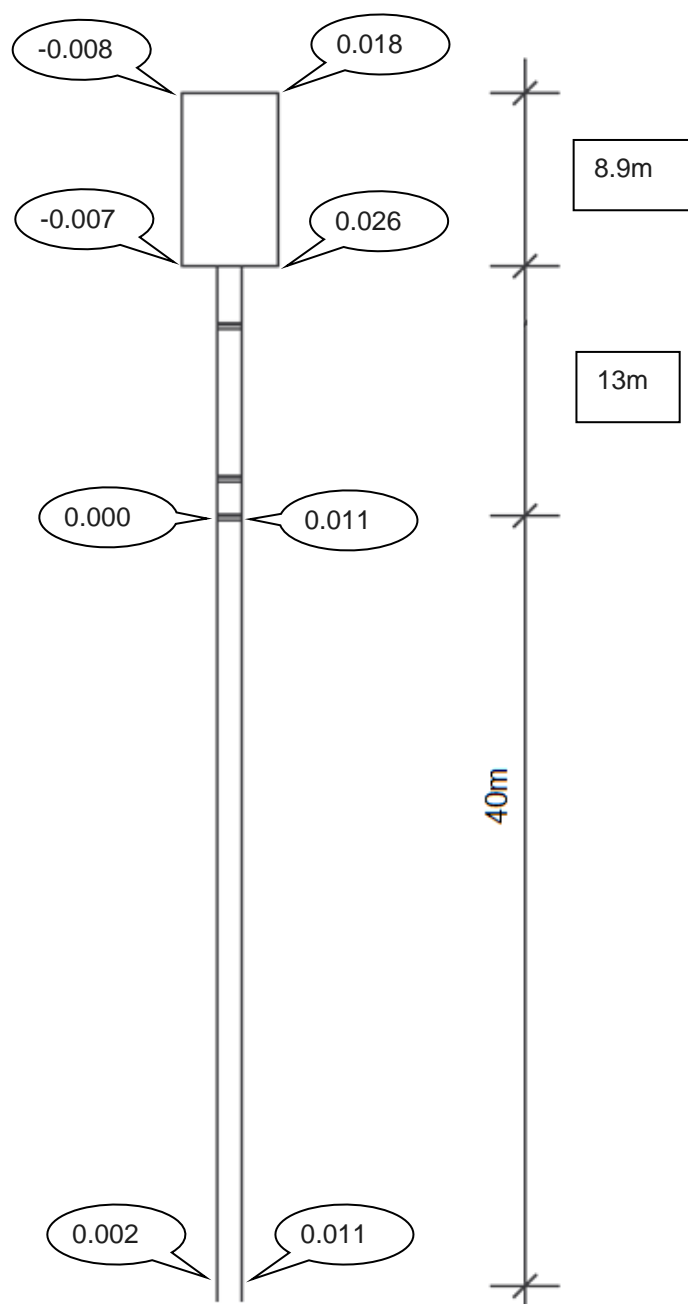
### Spot Levels – TRIPLE JUMP MEN

Site identification:	A1
----------------------	----

Provide levels at each take-off board (0.000m), 40m from each Triple Jump take-off board and at the landing area kerb four corners.

If there are multiple horizontal jump runways using a common landing area that must have temporary taping during competition to limit the landing area width to 3.00m maximum, then additional levels shall be provided where the temporary taping will intersect the landing area surround.

Please use a separate form for each Triple Jump board.





WORLD

City	Bunbury	Name of Facility	Bunbury Athletics Track
------	---------	------------------	-------------------------

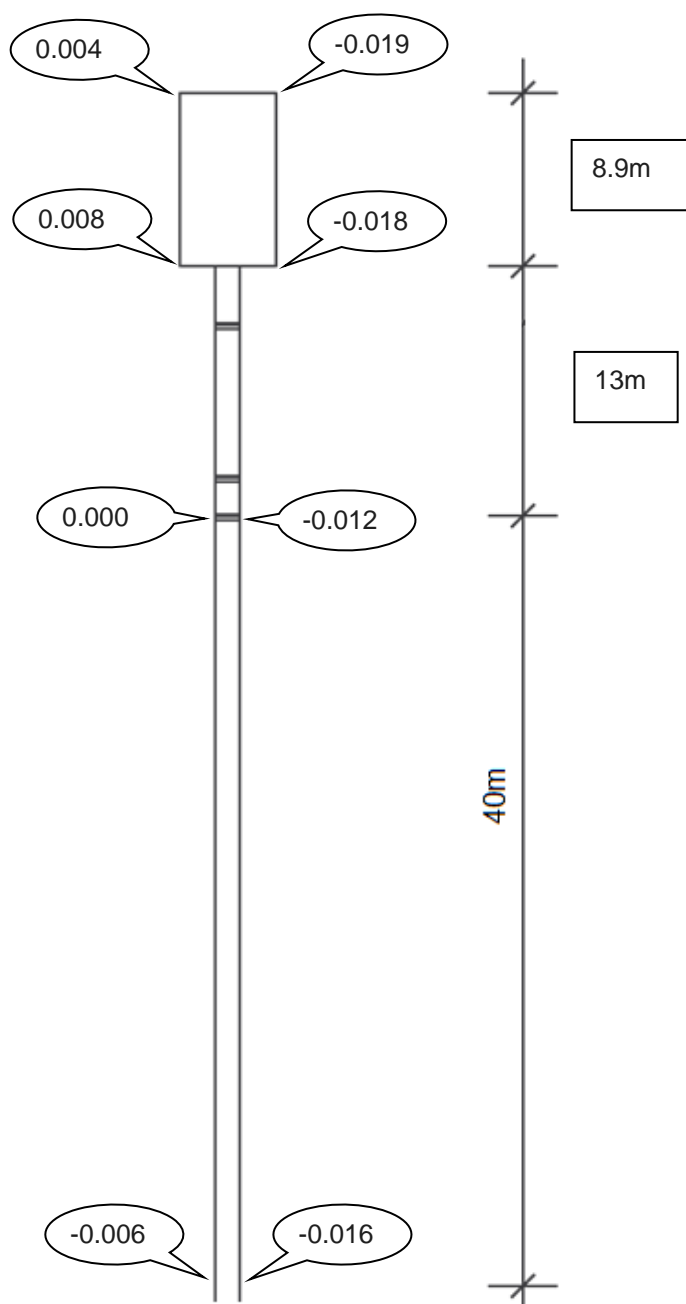
### Spot Levels – TRIPLE JUMP MEN

Site identification:	B1
----------------------	----

Provide levels at each take-off board (0.000m), 40m from each Triple Jump take-off board and at the landing area kerb four corners.

If there are multiple horizontal jump runways using a common landing area that must have temporary taping during competition to limit the landing area width to 3.00m maximum, then additional levels shall be provided where the temporary taping will intersect the landing area surround.

Please use a separate form for each Triple Jump board.





WORLD

City	Bunbury	Name of Facility	Bunbury Athletics Track
------	---------	------------------	-------------------------

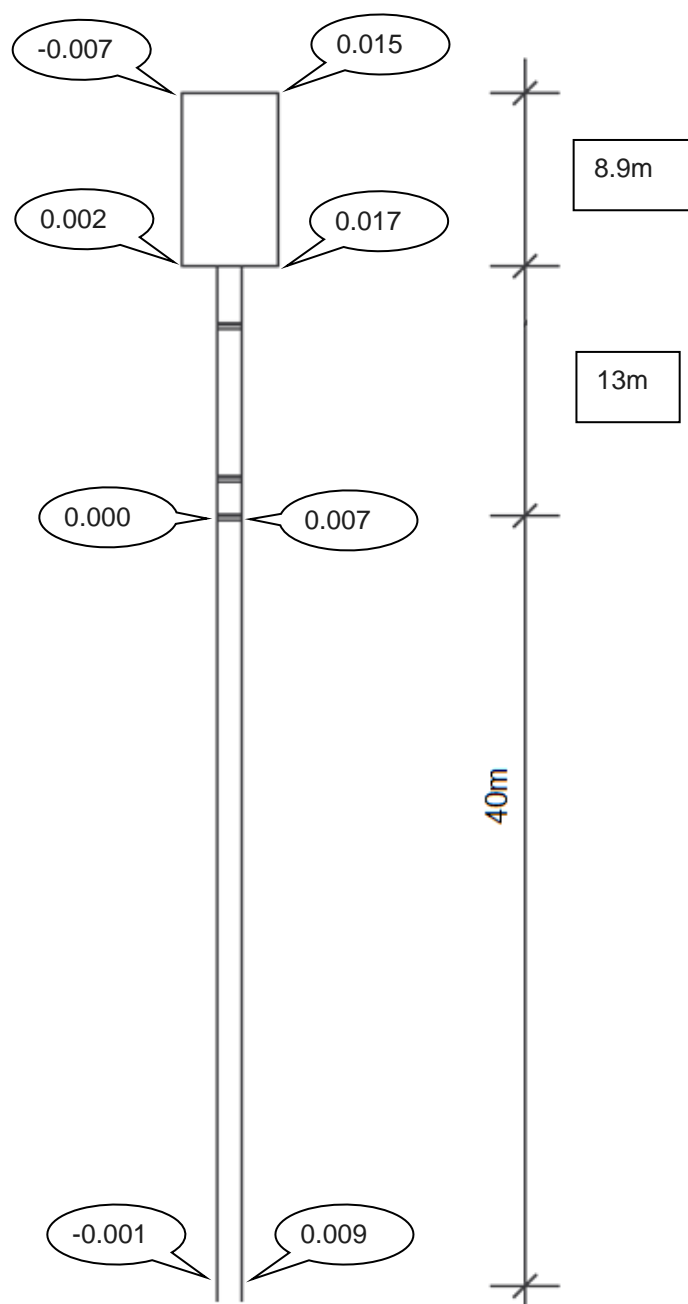
### Spot Levels – TRIPLE JUMP MEN

Site identification:	A2
----------------------	----

Provide levels at each take-off board (0.000m), 40m from each Triple Jump take-off board and at the landing area kerb four corners.

If there are multiple horizontal jump runways using a common landing area that must have temporary taping during competition to limit the landing area width to 3.00m maximum, then additional levels shall be provided where the temporary taping will intersect the landing area surround.

Please use a separate form for each Triple Jump board.





WORLD

City	Bunbury	Name of Facility	Bunbury Athletics Track
------	---------	------------------	-------------------------

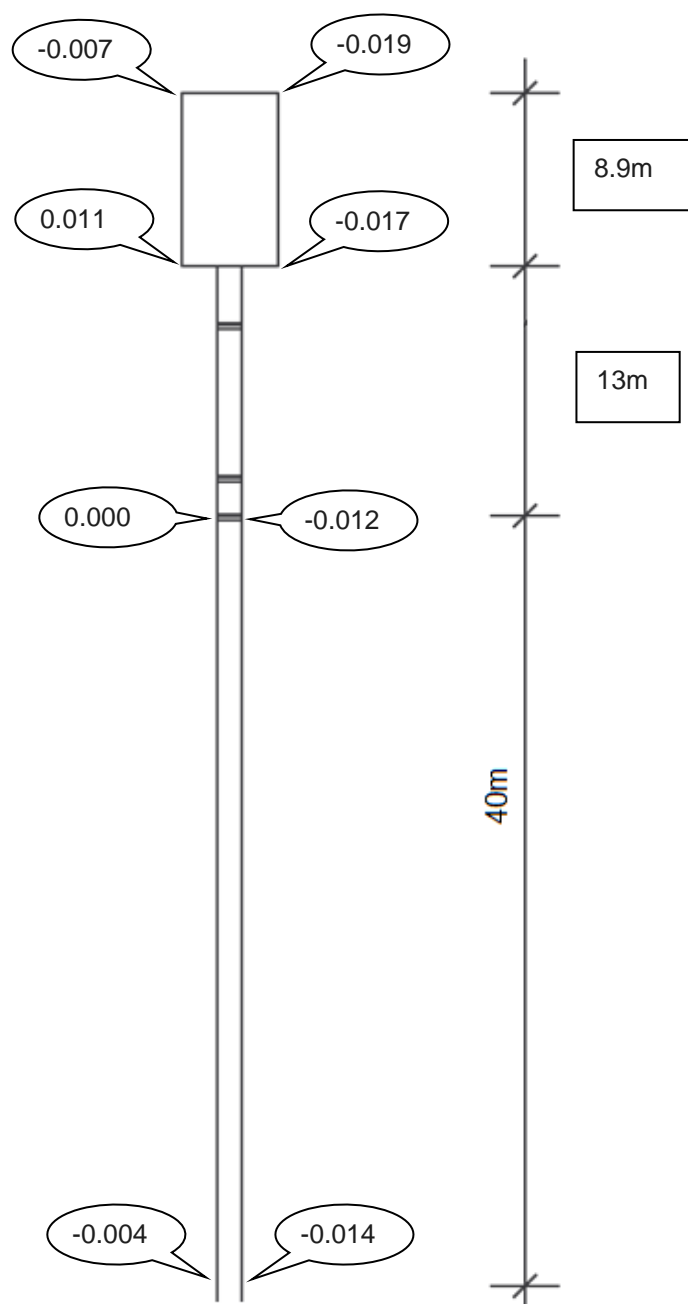
### Spot Levels – TRIPLE JUMP MEN

Site identification:	B2
----------------------	----

Provide levels at each take-off board (0.000m), 40m from each Triple Jump take-off board and at the landing area kerb four corners.

If there are multiple horizontal jump runways using a common landing area that must have temporary taping during competition to limit the landing area width to 3.00m maximum, then additional levels shall be provided where the temporary taping will intersect the landing area surround.

Please use a separate form for each Triple Jump board.



City	Bunbury	Name of Facility	Bunbury Athletics Track
------	---------	------------------	-------------------------

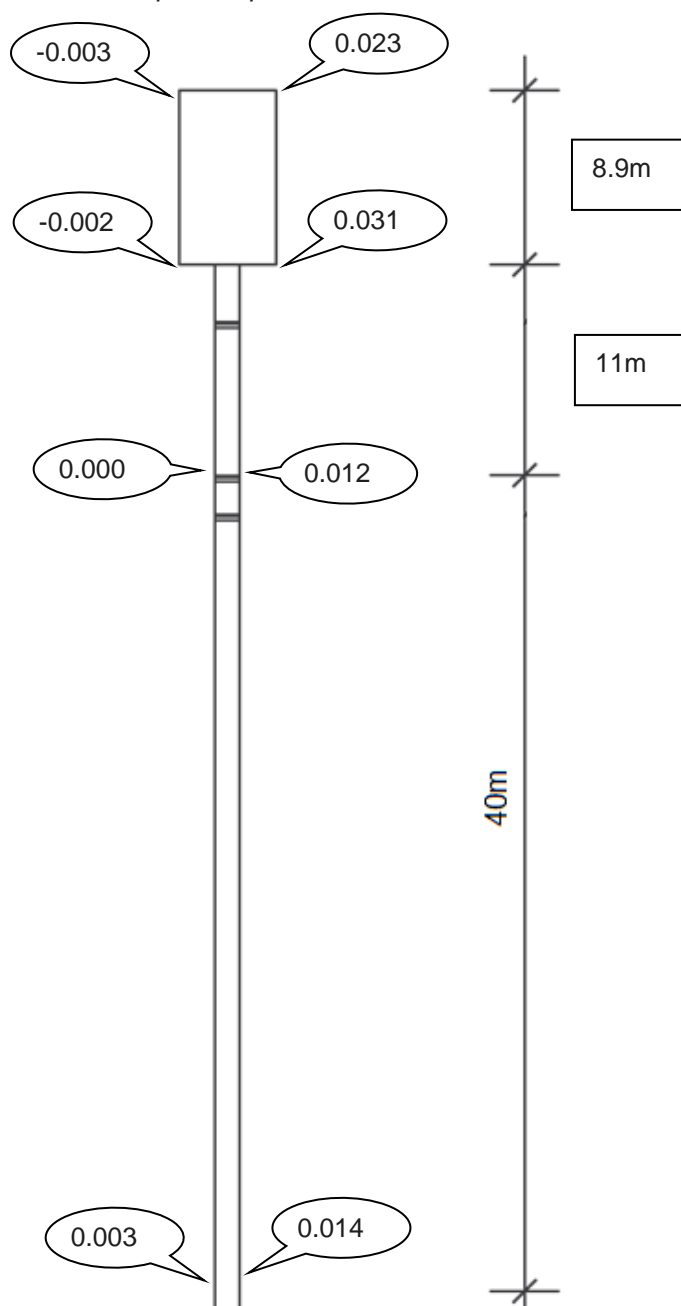
### Spot Levels – TRIPLE JUMP WOMEN

Site identification:	A1
----------------------	----

Provide levels at each take-off board (0.000m), 40m from each Triple Jump take-off board and at the landing area kerb four corners.

If there are multiple horizontal jump runways using a common landing area that must have temporary taping during competition to limit the landing area width to 3.00m maximum, then additional levels shall be provided where the temporary taping will intersect the landing area surround.

Please use a separate form for each Triple Jump board.



City	Bunbury	Name of Facility	Bunbury Athletics Track
------	---------	------------------	-------------------------

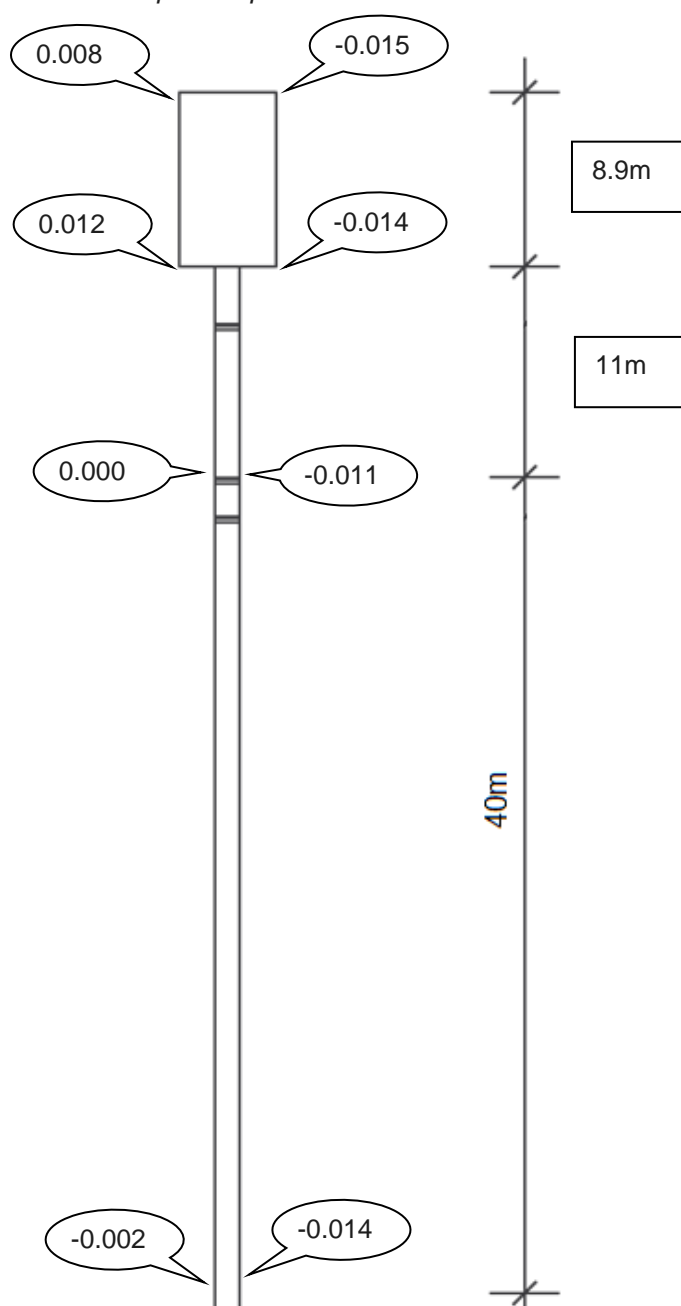
### Spot Levels – TRIPLE JUMP WOMEN

Site identification:	B1
----------------------	----

Provide levels at each take-off board (0.000m), 40m from each Triple Jump take-off board and at the landing area kerb four corners.

If there are multiple horizontal jump runways using a common landing area that must have temporary taping during competition to limit the landing area width to 3.00m maximum, then additional levels shall be provided where the temporary taping will intersect the landing area surround.

Please use a separate form for each Triple Jump board.





City	Bunbury	Name of Facility	Bunbury Athletics Track
------	---------	------------------	-------------------------

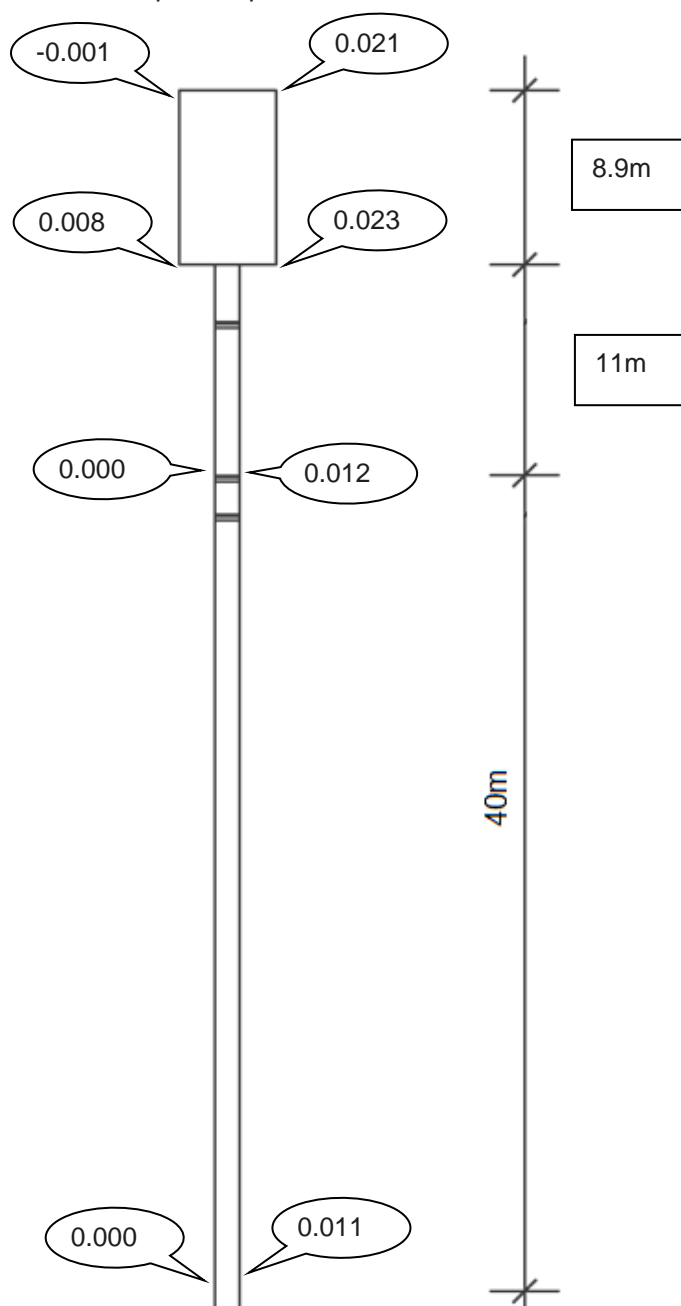
### Spot Levels – TRIPLE JUMP WOMEN

Site identification:	A2
----------------------	----

Provide levels at each take-off board (0.000m), 40m from each Triple Jump take-off board and at the landing area kerb four corners.

If there are multiple horizontal jump runways using a common landing area that must have temporary taping during competition to limit the landing area width to 3.00m maximum, then additional levels shall be provided where the temporary taping will intersect the landing area surround.

Please use a separate form for each Triple Jump board.



City	Bunbury	Name of Facility	Bunbury Athletics Track
------	---------	------------------	-------------------------

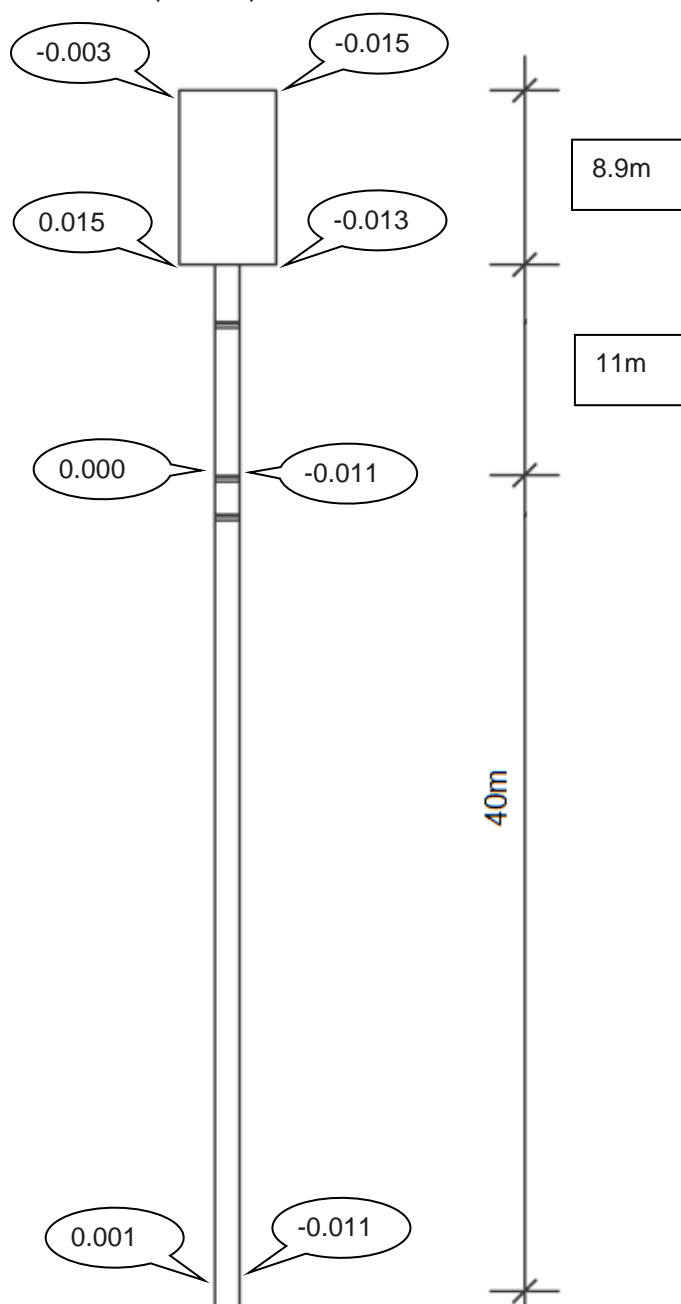
### Spot Levels – TRIPLE JUMP WOMEN

Site identification:	B2
----------------------	----

Provide levels at each take-off board (0.000m), 40m from each Triple Jump take-off board and at the landing area kerb four corners.

If there are multiple horizontal jump runways using a common landing area that must have temporary taping during competition to limit the landing area width to 3.00m maximum, then additional levels shall be provided where the temporary taping will intersect the landing area surround.

Please use a separate form for each Triple Jump board.



City	Bunbury	Name of Facility	Bunbury Athletics Track
------	---------	------------------	-------------------------

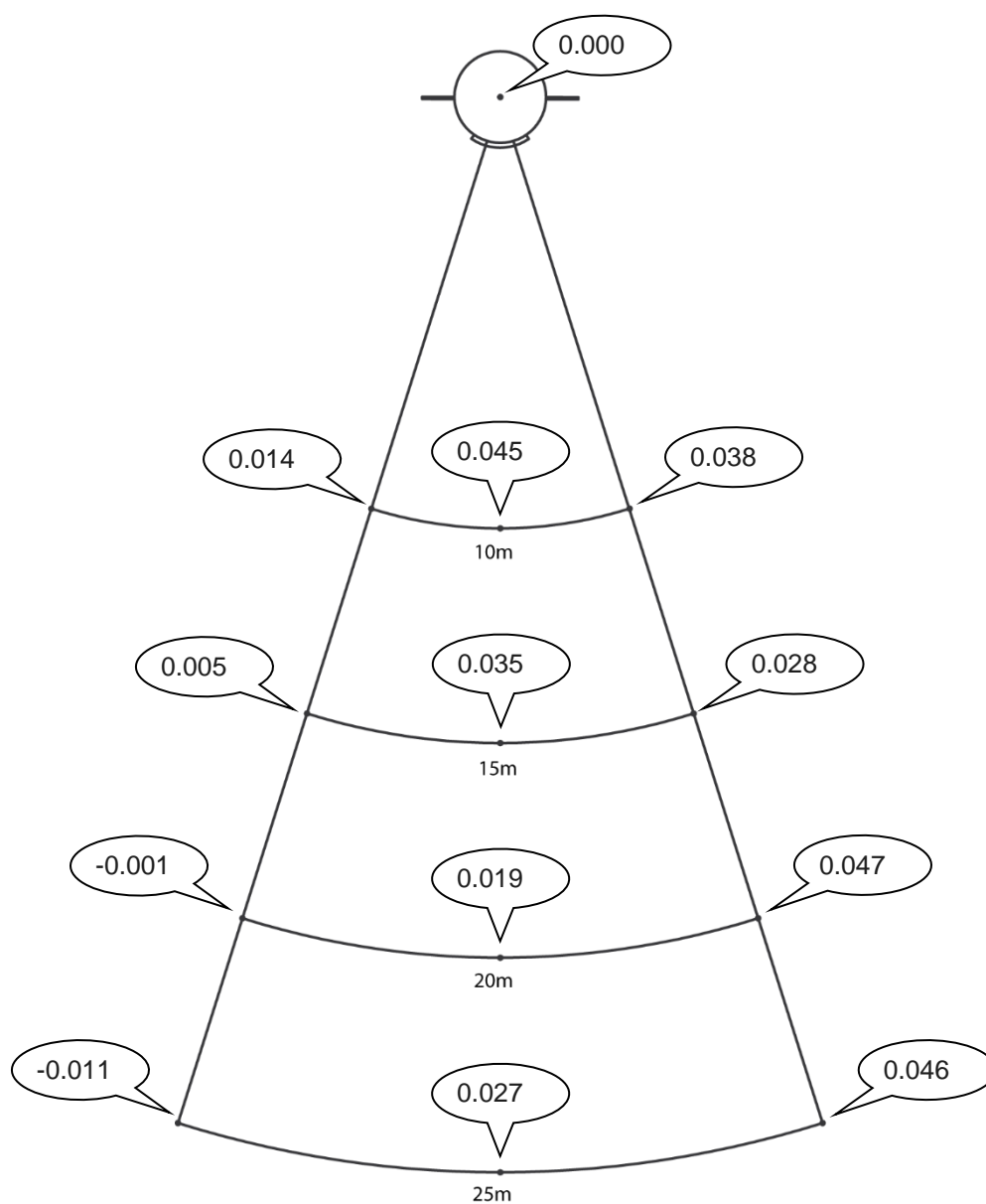
### Spot Levels – SHOT PUT

Site identification:	A
----------------------	---

Use the diagram to provide reduced levels at the circle (centre of circle = 0.000m) and for the landing area at the 10m, 15m, 20m and 25m arcs at the two sector extremities and the centreline.

The sign convention used by World Athletics for inclinations is that an upward inclination in the direction of throwing is positive. At any radius, the lowest level is compared with the throwing circle level to determine the inclination.

The stop board must be checked before a competition.



City	Bunbury	Name of Facility	Bunbury Athletics Track
------	---------	------------------	-------------------------

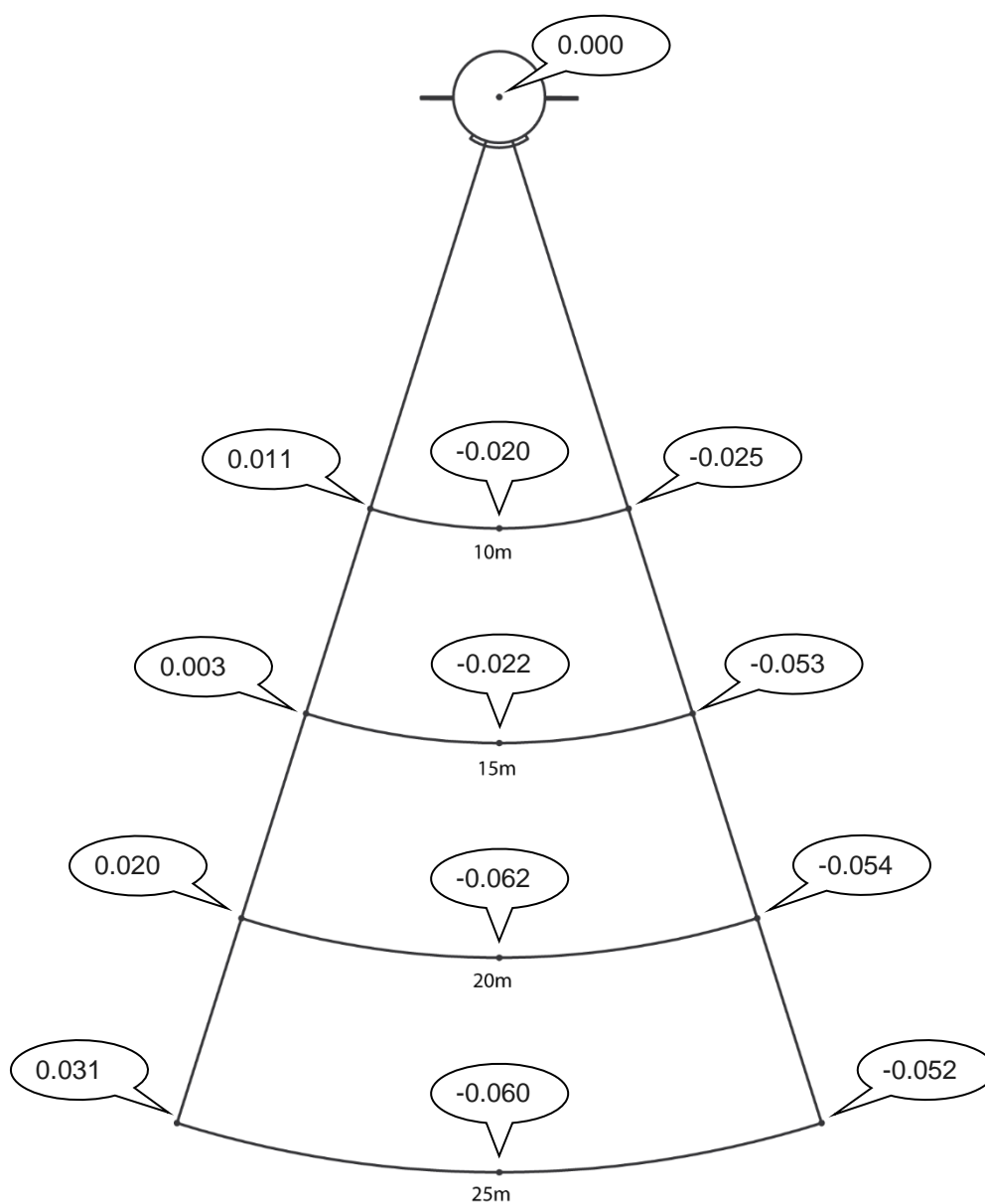
### Spot Levels – SHOT PUT

Site identification:	B
----------------------	---

Use the diagram to provide reduced levels at the circle (centre of circle = 0.000m) and for the landing area at the 10m, 15m, 20m and 25m arcs at the two sector extremities and the centreline.

The sign convention used by World Athletics for inclinations is that an upward inclination in the direction of throwing is positive. At any radius, the lowest level is compared with the throwing circle level to determine the inclination.

The stop board must be checked before a competition.

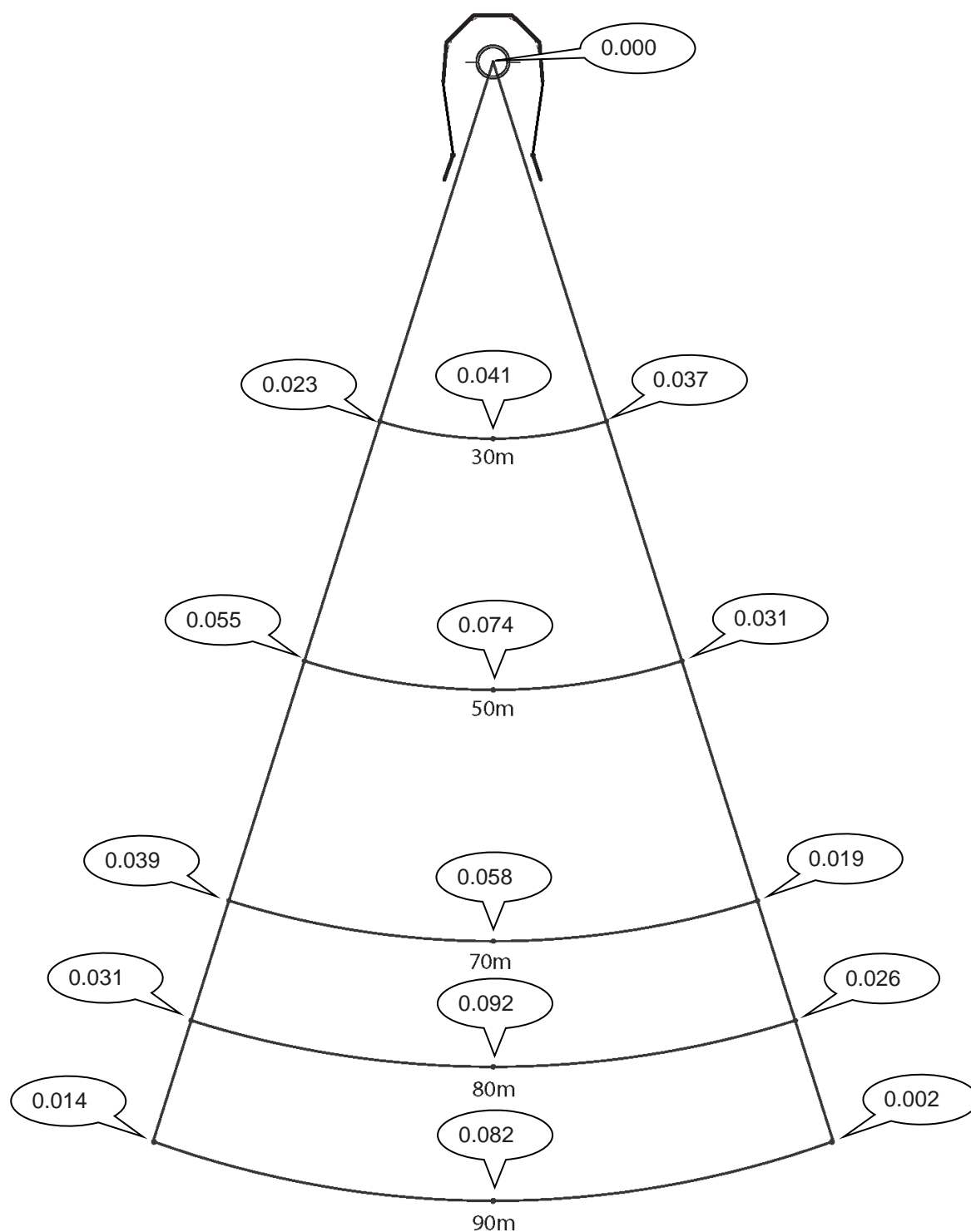


City	Bunbury	Name of Facility	Bunbury Athletics Track
------	---------	------------------	-------------------------

### Spot Levels – DISCUS / HAMMER THROW

Site identification:	Discus / Hammer A
----------------------	-------------------

Provide levels at the centre of the circles (0.000m) and for the landing areas at the 30m, 50m, 70m, 80m (discus only) and 90m (hammer and combined) arcs at the two sector extremities and the centreline.

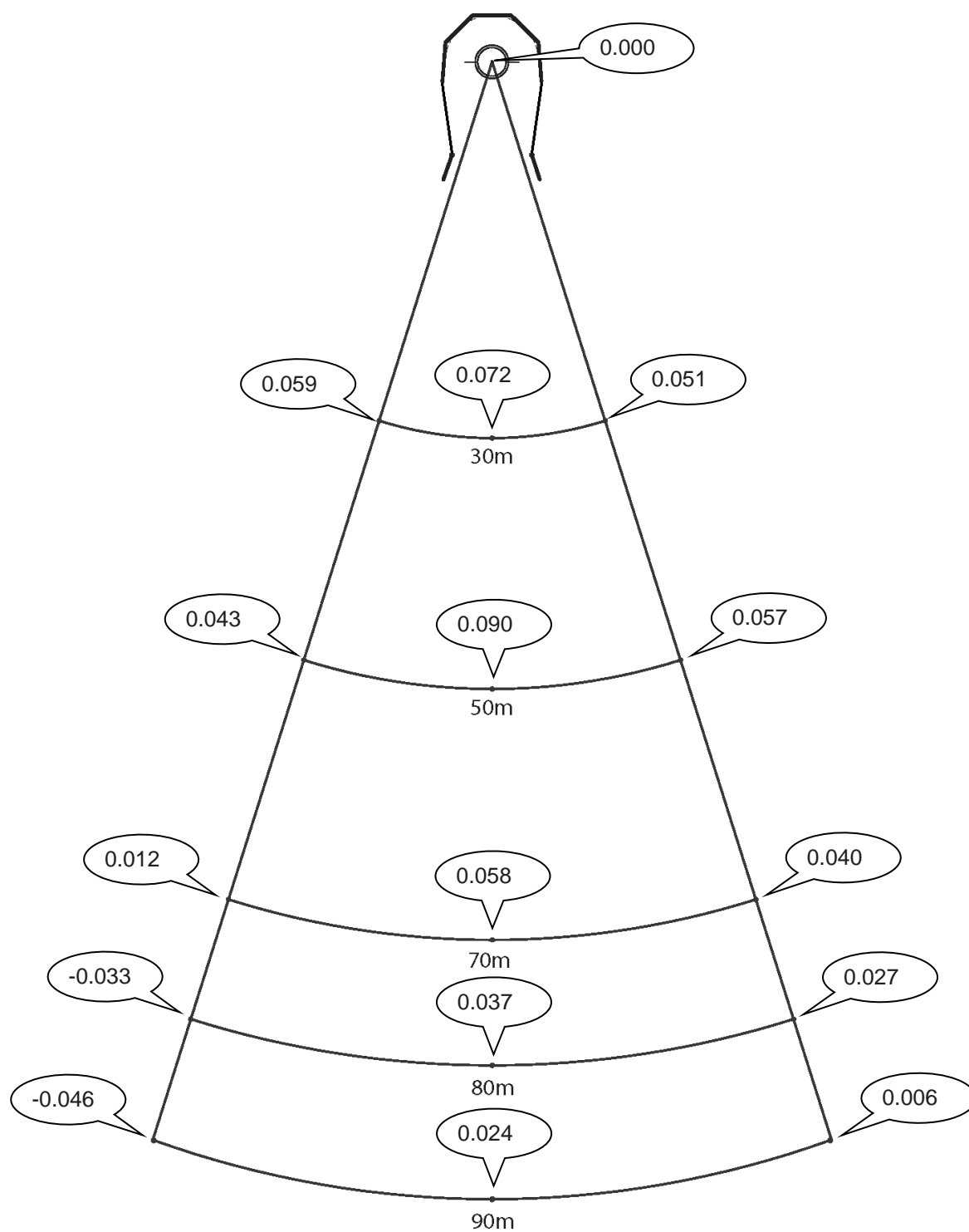


City	Bunbury	Name of Facility	Bunbury Athletics Track
------	---------	------------------	-------------------------

### Spot Levels – DISCUS / HAMMER THROW

Site identification:	Discus B
----------------------	----------

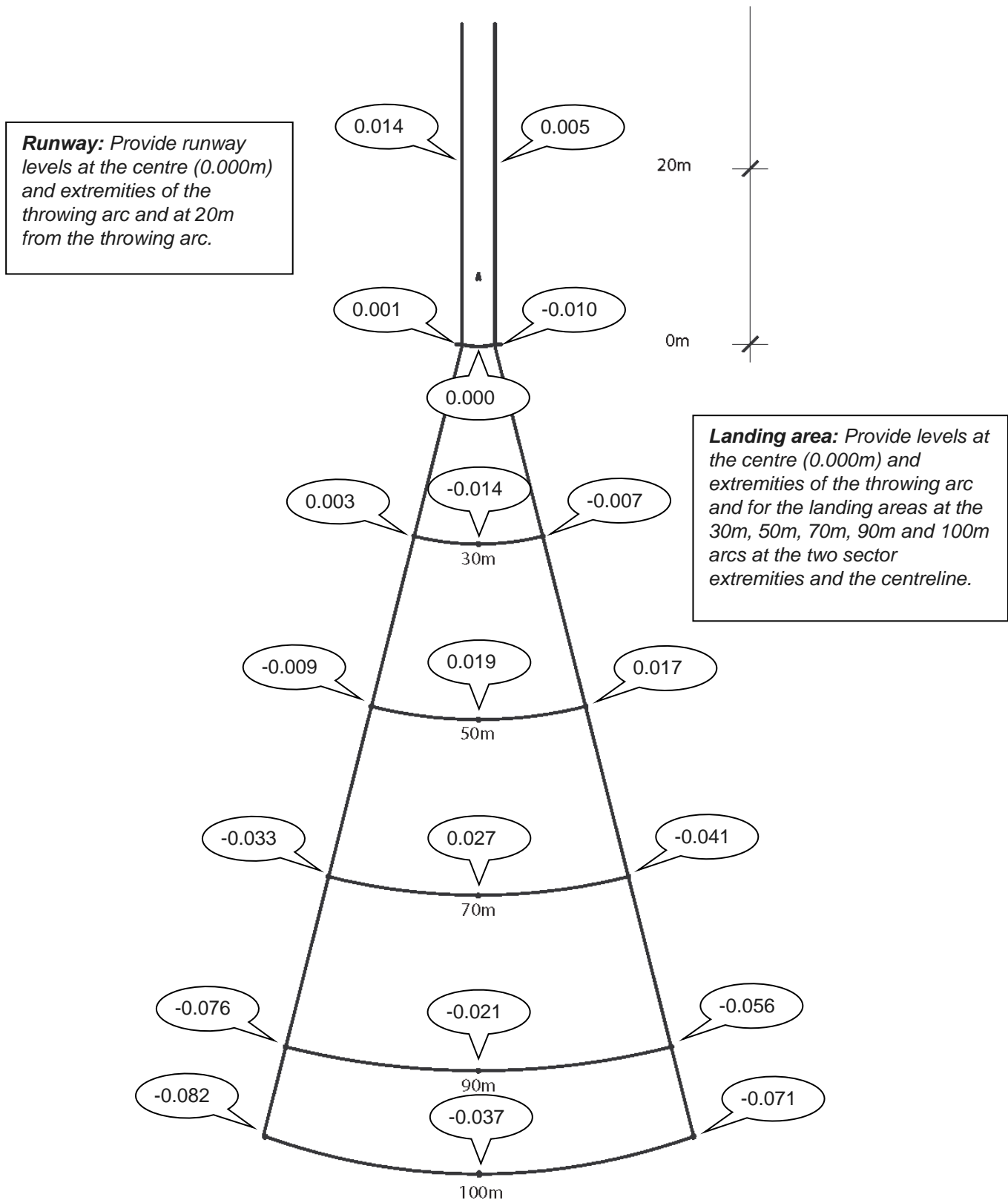
Provide levels at the centre of the circles (0.000m) and for the landing areas at the 30m, 50m, 70m, 80m (discus only) and 90m (hammer and combined) arcs at the two sector extremities and the centreline.



City	Bunbury	Name of Facility	Bunbury Athletics Track
------	---------	------------------	-------------------------

### Spot Levels – JAVELIN THROW

Site identification:	A
----------------------	---





City	Bunbury	Name of Facility	Bunbury Athletics Track
------	---------	------------------	-------------------------

### Spot Levels – JAVELIN THROW

Site identification:	B
----------------------	---

